



Afacan Plastik

Endüstriyel Temizlik ve Sağlık Ürünleri
Industrial Cleaning and Health Products

Önce Kalite
QUALITY FIRST

QUALITY FIRST
2023 - 2024 COLLECTION®

DISPENSER

ATIK KOVALARI

ÇÖP KOVALARI

TEMİZLİK KOVALARI

MOP ARABALARI

MOP APARATLARI

SIFIR ATIK KOVALARI

DİĞER ÜRÜNLER



Dijital Katalog
Digital Catalog

+90 362 266 7959

info@afacanplastik.com
export@afacanplastik.com

afacanplastik.com
medicalwastebin.com

Yeni Camii OSB, Mh. OSB 2.Cad.
No:2 KAVAK/SAMSUN



**Bize göre; Sağlıklı bir gelecek,
daha kaliteli ürünler üretmekten
geçer, bu yüzden...**

In our opinion, an healthy future is based
on producing higher quality producing.
That's why...

Önce Kalite
QUALITY FIRST



İÇİNDEKİLER INDEX

KISACA BİZ OUR STORY.....	4
KÖPÜK SABUN APARATLARI FOAM SOAP DISPENSERS CARTRIDGE.....	8
KAĞIT HAVLU APARATLARI PAPER TOWEL DISPENSERS.....	12
PEDALLI - ÇÖP KOVALARI PEDAL - WASTE BINS.....	22
SIFIR ATIK KOVALARI ZERO WASTE BINS.....	40
ATIK KOVALARI VE MEDİKAL ÜRÜNLER MEDICAL WASTE AND SHARP BOX.....	46
TEMİZLİK KOVALARI VE MOP ARABALARI CLEANING BUCKETS AND MOP TROLLEY.....	56
MOP APARATLARI MOP APPARATUS.....	70
KAYGAN ZEMİN LEVHASI WARNING SIGN FOR SLIPPERY GROUND.....	73
DİĞER ÜRÜNLER OTHER PRODUCTS.....	74
SERTİFİKALAR CERTIFICATES.....	84



KISACA BİZ

Endüstriyel Temizlik ve Sağlık Ürünleri sektörlerine yön veren, inovasyonu kendine misyon edinmiş, çevreci ve geliştirici üretim yolculuğumuz 1980 yılında Samsun'da başlamıştır.

Afacan Plastik, üretim serüvenine el presleri ile bebek emzikleri üreterek başlamıştır. Afacan Plastik; sektördeki talep ve pazar değerlendirmesi sonucunda endüstriyel temizlik ve sağlık ürünleri alanına yönelmiş, bu alanda ülkemizdeki önde gelen firmalar arasına adını yazdırmıştır.

Afacan Plastik kurulduğu günden bu güne her zaman kendini geliştiren "DENEYİMLİ" ve uzman kadrosu süreklilik ilkesi ile yaptığı "TASARIM ve AR-GE" çalışmaları, benimsediği "YENİLİKÇİ" vizyonu ve "ÖNCE KALİTE" prensibi ile sektöründe fark yaratmış, "TEKNOLOJİ'nin" en son imkanlarını kullanarak ve "SÜRDÜREBİLİRLİK" esaslarına göre yaptığı uluslararası standartlardaki üretimi ve hizmet kalitesi ile sektörün "LİDER" markalarından biri olmuştur.

Afacan Plastik, üretim faaliyetlerine Samsun Kavak Organize Sanayii'nde yer alan 18.000m² açık 12.000m² kapalı ve toplamda 30.000m² olan tesisinde sürdürmektedir. Üretim faaliyetlerinin yanında bölgenin en büyük toptan ve perakende satış mağazası olma özelliğine sahip "AFACAN AVM" ile 50.000 çeşit ürün perakende, toptan ve online satış ile Türkiye'nin dört bir yanına ulaştırılmaktadır.

Yatırım ve yeniliğe her dönemde önem veren Afacan Plastik, yaptığı yatırımlarla her yıl yeni istihdam alanları oluşturmuştur ve oluşturmaya devam etmektedir. Bu konuda bölge sanayii'nin öncü firmalarından olmanın gururu ile çalışmalarını sürdürmektedir. Yıllık 3.500 ton plastik işleme kapasitesine sahip fabrikamızda, yılda 3.000.000 adet'in üzerinde ürün üretilip, Türkiye'nin dört bir yanına ve dünyada 4 kıtada 30'dan fazla ülkeye ulaştırılmaktadır. "Önce Kalite" ilkesini prensip edinen Afacan Plastik müşterilerinin taleplerini yüksek kalite standartlarında ve zamanında üretilip, müşterilerine ulaştırmayı vazgeçilmez hedef olarak benimsemiştir.

Afacan Plastik, ulusal ve uluslararası kabul gören kalite yönetim, çevre yönetim ve iş sağlığı & güvenliği belgeleri, ürün gruplarına ait özel standart belgeleri ile kalitesini tescillemiştir.

Afacan Plastik, kalitesi ile fark yaratan stratejik yatırımlarıyla güvenle büyüyen, geleceğe gururla taşınan, çevreci ve insan odaklı faaliyetleri görev olarak benimseyen, geleceğe gururla taşınan lider marka olmaya daima devam edecektir.

Geçmişte kurduğumuz hayaller, bizi bu günlere getirdi. Bugün kurduğumuz hayaller ise bizi geleceğe bağlıyor.



YILLARIN TECRÜBESİ YEARS OF EXPERIENCE

OUR STORY

Our journey to make environmentally-friendly and constructive production based on an innovation mission guiding Industrial Cleaning and Health Products industries has begun in Samsun in 1980. Afacan Plastik started its production adventure producing hand-press and baby pacifiers. As a result of sectoral demands and market evaluation, Afacan Plastik has focused on industrial cleaning and health products and taken its place among leading companies in our country in this field.

Since its establishment, Afacan Plastik has made a difference in the sector with its “**DESIGN and R & D**” studies, its “**INNOVATIVE**” vision and “**QUALITY FIRST**” principle, with its “**EXPERIENCED**” and expert staff who have always improved themselves, and become one of the “**LEADING**” brands of the sector with its production and service quality at international standards, using the latest possibilities of “**TECHNOLOGY**” and in accordance with the principles of “**SUSTAINABILITY**”.

Afacan Plastik continues its production activities in its 30.000m² facility of which 18.000m² is open and 12.000m² is closed in Samsun Kavak Organized Industrial Zone. In addition to its manufacturing operations, “**AFACAN AVM,**” the region’s largest wholesale and retail store, distributes 50,000 different items throughout Turkey through retail, wholesale, and online sales.

With its investments, Afacan Plastik, which prioritizes investment and innovation at all times, has created and still continues to create new employment areas every year. Afacan Plastik keeps carrying out its commercial activities proudly of being a pioneering company of the regional industry. Our factory, which has an annual plastic processing capacity of 3,500 tons, produces more than 3,000,000 products annually and deliver them to all parts of Turkey and to more than 30 countries on four continents in the world. Adopting the principle of “**Quality First**”, Afacan Plastik has adopted producing the requirements of its customers in high quality standards and on time and delivering them to its customers as an essential goal.

Afacan Plastik has proven its quality with nationally and globally recognized quality management, environmental management, and occupational health and safety certificates, as well as special standard documentation for product groups.

Afacan Plastik will always be the leading brand that expands boldly with strategic investments that make a difference with its quality, goes forward with pride, embraces ecologically responsible and people-oriented activities as its duty, and advances forward with pride.

Our dreams from the past have brought us to the present. The dreams we have now lead us to the future.

***KÖPÜK SABUN
APARATLARI***

***FOAM SOAP
DISPENSERS CARTRIDGE***

DGE





Beyaz
White

Code: **DSA 100**



Gri
Grey

Code: **DSA 101**



Siyah
Black

Code: **DSA 103**



Krom
Chrome

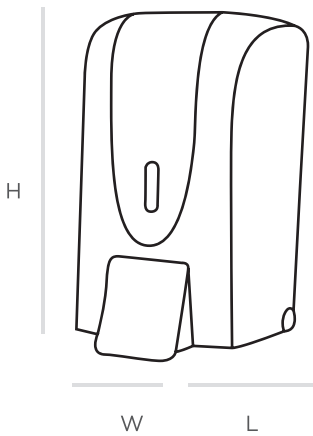
Code: **DSA 200**

DÖKME KÖPÜK SABUN APARATI 1000 ml.

FOAM SOAP DISPENSER IN BULK 1000 ml.

Дозатор для жидкого мыла-пены 1000 ml.

Ambalaj Şekli | Packaging Details



W	14,5 cm
L	11 cm
H	21 cm
KG	0,430 kg



W	27 cm	M 3	0,068 m3
L	58 cm	Koli İçi Adeti Inside The Box	
H	46 cm	15	
KG	7,5 kg		



20 ft Load	500 BOX
40 ft Load	1130 BOX
40 h ft Load	1170 BOX
Standart Truck Load	1210 BOX



Beyaz
White

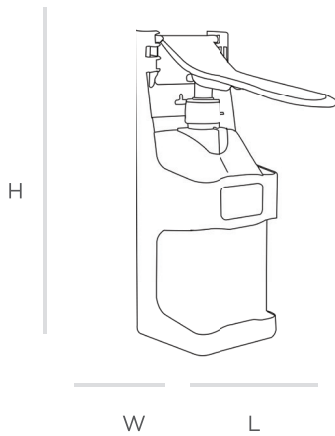
Code: DADB 100

DİRSEK BASMALI DEZENFEKTAN APARATI

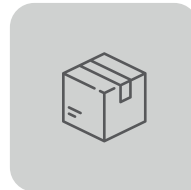
ELBOW-PRESS DISPENSER

Дозатор пенного мыла в больших количествах

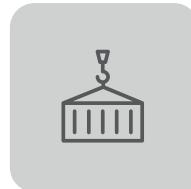
Ambalaj Şekli | Packaging Details



W	8,5 cm
L	9,5 cm
H	27,5 cm
KG	0,260 kg



W	62 cm	M 3	0.083 m3
L	24 cm	Koli İçi Adeti Inside The Box	
H	59 cm	24	
KG	6,5 kg		



20 ft Load	360 BOX
40 ft Load	795 BOX
40 h ft Load	840 BOX
Standart Truck Load	1085 BOX

* The accessories on the models shown may differ from those on the models sold.

***KAĞIT HAVLU
APARATLARI***

***PAPER TOWEL
DISPENSERS***





Siyah
Black

Code: ZHA-3 103

Beyaz
White

Code: ZHA-3 100



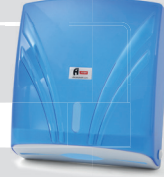
Gri
Grey

Code: ZHA-3 101



Şeffaf Mavi
Transparent Blue

Code: ZHA-3 108



Şeffaf Füme
Transparent Smoke

Code: ZHA-3 109

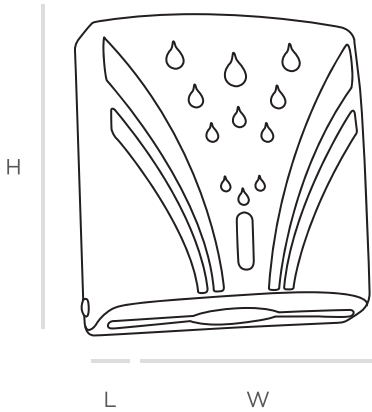


Z KATLI HAVLU APARATLARI 300'LÜ

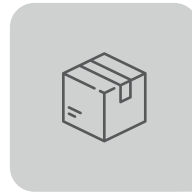
Z PAPER TOWEL DISPENSER 300 PAPER CAPACITY

диспенсер для полотенец Z-сложения на 300 шт

Ambalaj Şekli | Packaging Details



W	26 cm
L	9 cm
H	28 cm
KG	0,550 kg



W	56 cm	M 3	0,190 m3
L	59 cm	Koli İçi Adeti Inside The Box	
H	61 cm	20	
KG	14 kg		



20 ft Load	160 BOX
40 ft Load	340 BOX
40 h ft Load	380 BOX
Standart Truck Load	390 BOX



Beyaz
White

Code: ZHA-2 100

Şeffaf Mavi
Transparent Blue

Code: ZHA-2 108



Şeffaf Füme
Transparent Smoke

Code: ZHA-2 109

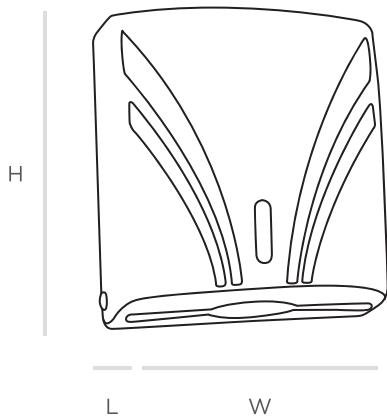


Z KATLI HAVLU APARATLARI 200'LÜ

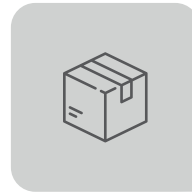
Z PAPER TOWEL DISPENSER 200 PAPER CAPACITY

диспенсер для полотенец Z-сложения на 200 шт

Ambalaj Şekli | Packaging Shape



W	23 cm
L	8 cm
H	20 cm
KG	0,340 kg



W	50 cm	M 3	0,110 m3
L	51 cm	Koli İçi Adeti Inside The Box	
H	45 cm	20	
KG	9,5 kg		



20 ft Load	160 BOX
40 ft Load	340 BOX
40 h ft Load	380 BOX
Standart Truck Load	390 BOX

* The accessories on the models shown may differ from those on the models sold.



Şeffaf Mavi
Transparent Blue

Code: JTA 108



Beyaz
White

Code: JTA 100



Şeffaf Füme
Transparent Smoke

Code: JTA 109



Siyah
Black

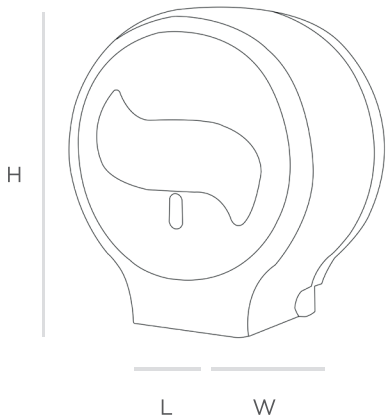
Code: JTA 103

JUMBO TUVALET KAĞIDI APARATLARI

JUMBO TOILET PAPER DISPENSERS

Диспенсеры/диспенсер для туалетной бумаги JUMBO

Ambalaj Şekli | Packaging Details



W	23,5 cm
L	13 cm
H	26 cm
KG	0,537 kg



W	50 cm	M 3	0,193 m3
L	73 cm	Koli İçi Adeti Inside The Box	
H	55 cm	20	
KG	14 kg		



20 ft Load	170 BOX
40 ft Load	350 BOX
40 h ft Load	390 BOX
Standart Truck Load	410 BOX



Şeffaf Füme
Transparent Smoke

Code: MJTA 109

Beyaz
White

Code: MJTA 100



Şeffaf Mavi
Transparent Blue

Code: MJTA 108

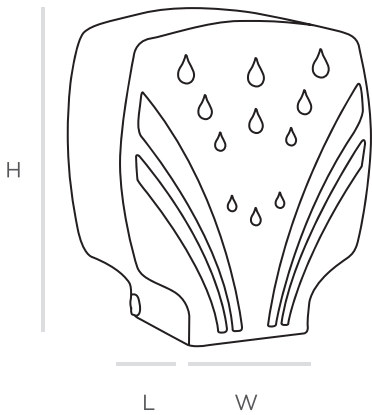


MINI JUMBO TUVALET KAĞIDI APARATLARI

MINI JUMBO TOILET PAPER DISPENSERS

диспенсер для туалетной бумаги MINI JUMBO

Ambalaj Şekli | Packaging Details



W	21 cm
L	12 cm
H	24 cm
KG	0,425 kg



W	51 cm	M 3	0,183 m3
L	53,5 cm	Koli İçi Adeti Inside The Box	
H	67 cm	24	
KG	13,5 kg		



20 ft Load	240 BOX
40 ft Load	500 BOX
40 h ft Load	560 BOX
Standart Truck Load	580 BOX

* The accessories on the models shown may differ from those on the models sold.



Şeffaf Mavi
Transparent Blue

Code: BTA 108

Beyaz
White

Code: BTA 100



Şeffaf Füme
Transparent Smoke

Code: BTA 109



Siyah
Black

Code: BTA 103

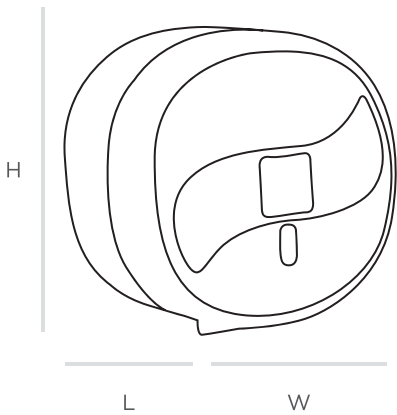


BÜYÜK İÇTEN ÇEKME TUVALET KAĞIDI APARATLARI

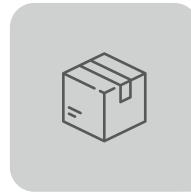
INTERNAL PULL TOILET PAPER DISPENSER BIG

Большой диспенсер для туалетной бумаги с внутренним вытяжением

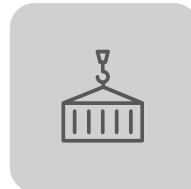
Ambalaj Şekli | Packaging Shape



W	25 cm
L	16 cm
H	25 cm
KG	0,696 kg



W	54 cm	M 3	0,160 m3
L	55,5 cm	Koli İçi Adeti Inside The Box	
H	56,5 cm	12	
KG	11,5 kg		



20 ft Load	240 BOX
40 ft Load	500 BOX
40 h ft Load	560 BOX
Standart Truck Load	580 BOX



Şeffaf Füme
Transparent Smoke

Code: KTA 109

Beyaz
White

Code: KTA 100



Şeffaf Mavi
Transparent Blue

Code: KTA 108

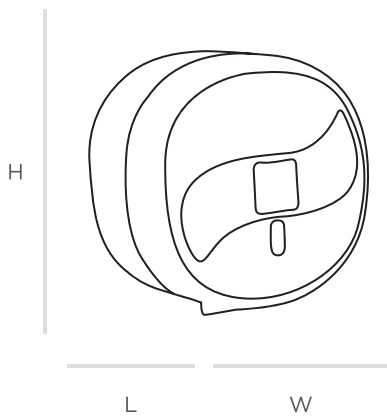


KÜÇÜK İÇTEN ÇEKME TUVALET KAĞIDI APARATLARI

INTERNAL PULL TOILET PAPER DISPENSER SMALL

Маленький диспенсер для туалетной бумаги с внутренним вытяжением

Ambalaj Şekli | Packaging Details



W	20 cm
L	13,5 cm
H	21,5 cm
KG	0,394 kg



W	43,5 cm	M 3	0,147 m3
L	76 cm	Koli İçi Adeti Inside The Box	
H	46 cm	20	
KG	10,5 kg		



20 ft Load	240 BOX
40 ft Load	500 BOX
40 h ft Load	560 BOX
Standart Truck Load	580 BOX

* The accessories on the models shown may differ from those on the models sold.



Beyaz
White

Code: ICHA 100



Şeffaf Mavi
Transparent Blue

Code: ICHA 108



Şeffaf Füme
Transparent Smoke

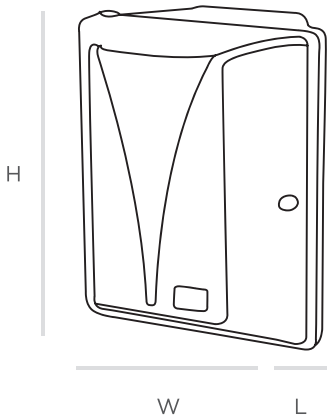
Code: ICHA 109

İÇTEN ÇEKME HAVLU APARATLARI

INTERNAL PULL TOWEL DISPENSER LARGE

диспенсер для полотенец с внутренним вытяжением

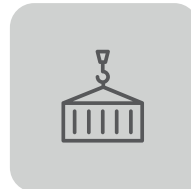
Ambalaj Şekli | Packaging Details



W	23 cm
L	20 cm
H	29 cm
KG	0,678 kg



W	51 cm	M 3	0,189 m3
L	63,5 cm	Koli İçi Adeti Inside The Box	
H	63 cm	12	
KG	11,5 kg		



20 ft Load	158 BOX
40 ft Load	350 BOX
40 h ft Load	370 BOX
Standart Truck Load	475 BOX



Beyaz
White

Code: **KKO 100**



Gri
Grey

Code: **KKO 101**



Siyah
Black

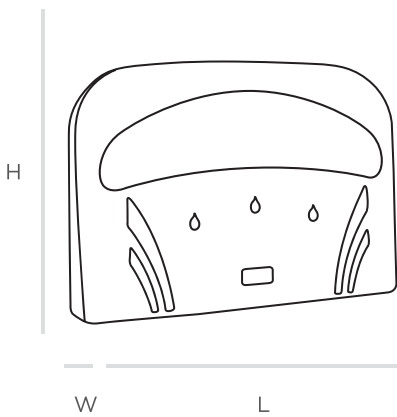
Code: **KKO 103**

KLOZET KAPAK ÖRTÜSÜ APARATLARI

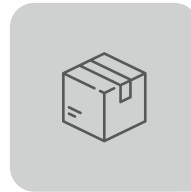
TOILET SEAT COVER DISPENSERS

диспенсер для покрытий на унитаэ

Ambalaj Şekli | Packaging Details



W	40 cm
L	5 cm
H	29 cm
KG	0,367 kg



W	64 cm	M 3	0,205 m ³
L	64 cm	Koli İçi Adeti Inside The Box	
H	50 cm	20	
KG	11,5 kg		
20 ft Load		145 BOX	
40 ft Load		320 BOX	
40 h ft Load		340 BOX	
Standart Truck Load		440 BOX	

* The accessories on the models shown may differ from those on the models sold.

***PEDALLI
ÇÖP KOVALARI***

PEDAL BINS





Sarı
Yellow **3 LT**

Code: **PK-3 105**



Code:
PK-3 101



Code:
PK-3 107



Code:
PK-3 104



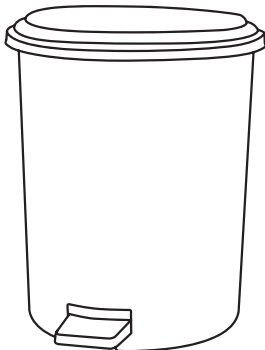
Code:
PK-3 110

PEDALLI ÇÖP KOVALARI

PEDAL BINS

Ведро для мусора с педалью

Ambalaj Şekli | Packaging Details



H

21 cm

W

17 cm

KG

0,294 kg



W 56 cm

L 52,5 cm

H 44 cm

KG 9 kg

M 3 0,128 m3

Koli İçi Adeti
Inside The Box

18

20 ft Load

234 BOX

40 ft Load

515 BOX

40 h ft Load

546 BOX

Standart Truck Load

703 BOX



RENK SEÇENEKLERİ

COLOUR CHOICES

ЦВЕТНЫЕ ВЫБОРЫ



6 LT

Code:
PK-6 101

H	26 cm
W	23 cm
kg	0,710 kg



Code:
PK-6 105



Code:
PK-6 107



Code:
PK-6 104



Code:
PK-6 110



W	46,5 cm	M 3	0,170 m3
L	69,8 cm	Koli İçi Adeti Inside The Box	
H	52,5 cm	12	
kg	11 kg		



20 ft Load	192 BOX
40 ft Load	385 BOX
40 h ft Load	444 BOX
Standart Truck Load	526 BOX



12 LT

Code:
PK-12 107

H	34 cm
W	28 cm
kg	1,274 kg



Code:
PK-12 105



Code:
PK-12 101



Code:
PK-12 104



Code:
PK-12 110



W	56 cm	M 3	0,128 m3
L	84 cm	Koli İçi Adeti Inside The Box	
H	34,5 cm	6	
kg	9,5 kg		



20 ft Load	257 BOX
40 ft Load	515 BOX
40 h ft Load	593 BOX
Standart Truck Load	703 BOX



30 LT

Code:
PK-30 104

H	41,5 cm
W	32,5 cm
kg	1,8 kg



Code:
PK-30 105



Code:
PK-30 107



Code:
PK-30 101



Code:
PK-30 110



W	66 cm	M 3	0,192 m3
L	66 cm	Koli İçi Adeti Inside The Box	
H	44 cm	4	
kg	9,5 kg		



20 ft Load	171 BOX
40 ft Load	343 BOX
40 h ft Load	395 BOX
Standart Truck Load	468 BOX



50 LT

Code:
PK-50 110

H	51,5 cm
W	38,5 cm
kg	3,2 kg



Code:
PK-50 105



Code:
PK-50 107



Code:
PK-50 101



Code:
PK-50 104



W	38 cm	M 3	0,323 m3
L	79,5 cm	Koli İçi Adeti Inside The Box	
H	105 cm	4	
kg	14 kg		



20 ft Load	92 BOX
40 ft Load	204 BOX
40 h ft Load	216 BOX
Standart Truck Load	278 BOX

* The accessories on the models shown may differ from those on the models sold.



TEHLİKELİ ATIK
HAZARDOUS
WASTE

30 LT

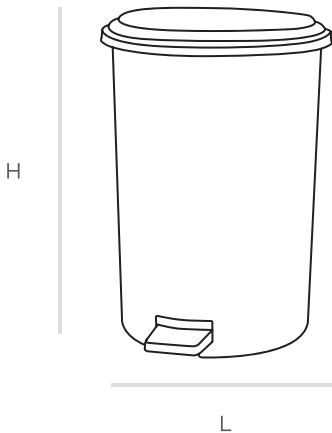
Code: PA-3 TA

30 LT PEDALLI ATIK KOVALARI

MEDICAL WASTE PEDAL BIN

ведро для мусора с педалью 30 л

Ambalaj Şekli | Packaging Details



H
41,5 cm

L
32,5 cm

KG
1,8 kg



W	66 cm
L	66 cm
H	44 cm
KG	8,8 kg

M 3	0,192 m3
Koli İçi Adeti Inside The Box	
4	



20 ft Load	172 BOX
40 ft Load	344 BOX
40 h ft Load	395 BOX
Standart Truck Load	468 BOX

SEÇENEKLERİ
CHOICES
ВЫБОРЫ



Code: PA-3 EA

30 LT

H	41,5 cm
L	32,5 cm
KG	1,8 kg

EVSEL ATIK / DOMESTIC WASTE



W	66 cm	M 3	0,192 m ³
L	66 cm	Koli İçi Adeti Inside The Box	
H	44 cm		
KG	8,8 kg	4	



20 ft Load	172 BOX
40 ft Load	344 BOX
40 h ft Load	395 BOX
Standart Truck Load	468 BOX



Code: PA-3 CA

30 LT

H	41,5 cm
L	32,5 cm
KG	1,8 kg

CAM ATIK / SHARP WASTE



W	66 cm	M 3	0,192 m ³
L	66 cm	Koli İçi Adeti Inside The Box	
H	44 cm		
KG	8,8 kg	4	



20 ft Load	172 BOX
40 ft Load	344 BOX
40 h ft Load	395 BOX
Standart Truck Load	468 BOX



Code: PA-3 TBA

30 LT

H	41,5 cm
L	32,5 cm
KG	1,8 kg

TIBBİ ATIK / MEDICAL WASTE



W	66 cm	M 3	0,192 m ³
L	66 cm	Koli İçi Adeti Inside The Box	
H	44 cm		
KG	8,8 kg	4	



20 ft Load	172 BOX
40 ft Load	344 BOX
40 h ft Load	395 BOX
Standart Truck Load	468 BOX

* The accessories on the models shown may differ from those on the models sold.



TIBBİ ATIK
MEDICAL
WASTE

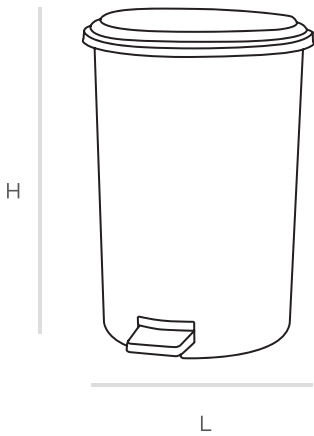
40 LT

Code: PA-4 TBA

40 LT PEDALLI ATIK KOVALARI

MEDICAL WASTE PEDAL BIN
ведро для мусора с педалью 40 л

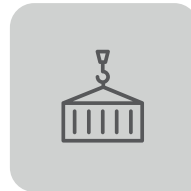
Ambalaj Şekli | Packaging Details



H	52 cm
L	42 cm
KG	2,90 kg



W	39 cm	M 3	0,331 m3
L	80 cm	Koli İçi Adeti Inside The Box	
H	106 cm	4	
KG	14,3 kg		



20 ft Load	90 BOX
40 ft Load	199 BOX
40 h ft Load	211 BOX
Standart Truck Load	271 BOX

SEÇENEKLERİ

CHOICES

ВЫБОРЫ



Code: PA-4 EA

40 LT

H	52 cm
L	42 cm
KG	2,90 kg

EVSEL ATIK / DOMESTIC WASTE



W	39 cm	M 3	0,331 m ³
L	80 cm	Koli İçi Adeti Inside The Box	
H	106 cm	4	
KG	14,3 kg		



20 ft Load	90 BOX
40 ft Load	199 BOX
40 h ft Load	211 BOX
Standart Truck Load	271 BOX



Code: PA-4 CA

40 LT

H	52 cm
L	42 cm
KG	2,90 kg

CAM ATIK / SHARP WASTE



W	39 cm	M 3	0,331 m ³
L	80 cm	Koli İçi Adeti Inside The Box	
H	106 cm	4	
KG	14,3 kg		



20 ft Load	90 BOX
40 ft Load	199 BOX
40 h ft Load	211 BOX
Standart Truck Load	271 BOX



Code: PA-4 TA

40 LT

H	52 cm
L	42 cm
KG	2,90 kg

TEHLİKELİ ATIK / HAZARDOUS WASTE



W	39 cm	M 3	0,331 m ³
L	80 cm	Koli İçi Adeti Inside The Box	
H	106 cm	4	
KG	14,3 kg		



20 ft Load	90 BOX
40 ft Load	199 BOX
40 h ft Load	211 BOX
Standart Truck Load	271 BOX

* The accessories on the models shown may differ from those on the models sold.



50 LT

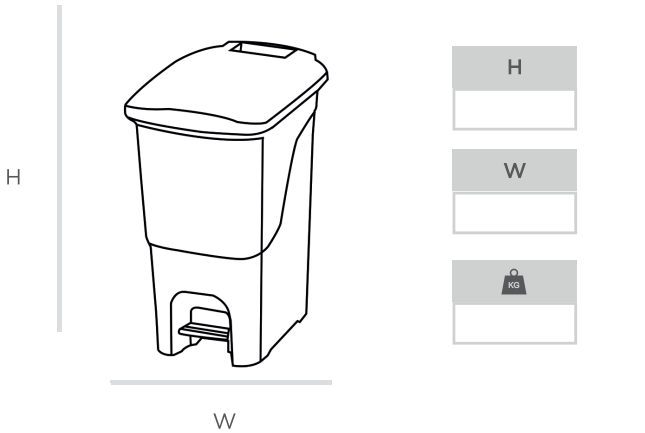
Code: SPK-50 101

SLİM PEDALLI ÇÖP KOVASI

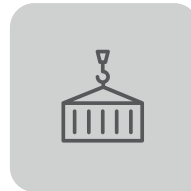
SQUARE SHAPED PEDAL BINS

ПЕДАЛЬНЫЕ ЯЩИКИ КВАДРАТНОЙ ФОРМЫ

Ambalaj Şekli | Packaging Details



W	<input type="text"/>	M 3	<input type="text"/>
L	<input type="text"/>	Koli İçi Adeti Inside The Box	
H	<input type="text"/>		
KG	<input type="text"/>		



20 ft Load	<input type="text"/>
40 ft Load	<input type="text"/>
40 h ft Load	<input type="text"/>
Standart Truck Load	<input type="text"/>



SEÇENEKLERİ

CHOICES

ВЫБОРЫ



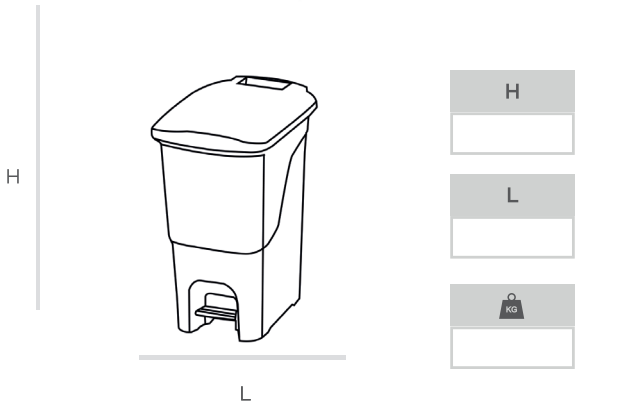
30 LT

SLİM PEDALLI ÇÖP KOVASI

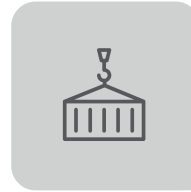
SQUARE SHAPED PEDAL BIN

ПЕДАЛЬНЫЕ ЯЩИКИ КВАДРАТНОЙ ФОРМЫ

Code: **SPK-30 101**



W		M 3	
L		Koli İçi Adeti Inside The Box	
H			
KG			



20 ft Load	
40 ft Load	
40 h ft Load	
Standart Truck Load	



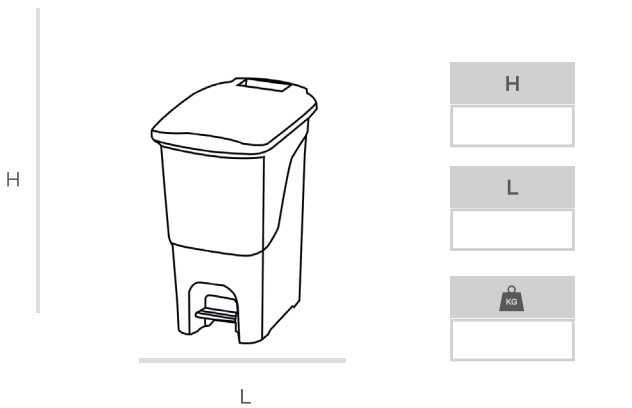
20 LT

SLİM PEDALLI ÇÖP KOVASI

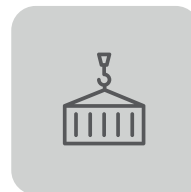
SQUARE SHAPED PEDAL BIN

ПЕДАЛЬНЫЕ ЯЩИКИ КВАДРАТНОЙ ФОРМЫ

Code: **SPK-20 101**



W		M 3	
L		Koli İçi Adeti Inside The Box	
H			
KG			



20 ft Load	
40 ft Load	
40 h ft Load	
Standart Truck Load	

ÇÖP KOVALARI

WASTE BINS





Gri
Grey **30 LT**

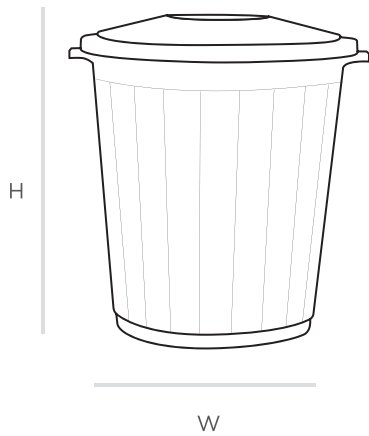
Code: **CK-30 101**

ÇÖP KOVASI

WASTE BIN

Мусорный бак

Ambalaj Şekli | Packaging Details



H
43 cm

W
42 cm

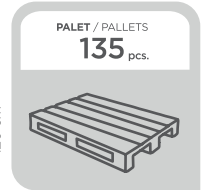
KG
1 kg



120
cm-h



M 3	
Palet İçi Bağ Adeti Bundle Quantity in Pallets	9 pcs.
Bağ Bundle	15 pcs.



20 ft Load	10 pallets
40 ft Load	24 pallets
40 h ft Load	24 pallets
Standart Truck Load	26 pallets



Mavi
Blue **50 LT**

Code: CK-50 107

Gri
Grey

Code: CK-50 101



Kırmızı
Red

Code: CK-50 104

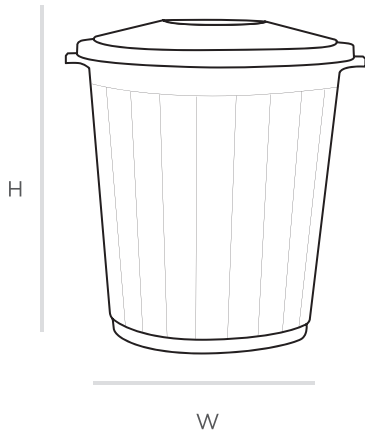


ÇÖP KOVALARI

WASTE BIN

Баки для мусора

Ambalaj Şekli | Packaging Details



H

48 cm

W

46,5 cm

kg

1,500 kg

KAPAK / LIDS



PALET / PALLETS

120
cm-h

M 3

1,440 m³

Palet İçi Bağ Adeti Bundle
Quantity in Pallets

5 pcs.

Bağ
Bundle

15 pcs.

PALET / PALLETS

75 pcs.



100 cm

20 ft Load

10 pallets

40 ft Load

24 pallets

40 h ft Load

24 pallets

Standart Truck Load

26 pallets

* The accessories on the models shown may differ from those on the models sold.



Kırmızı 70 LT
Red

Code: CK-70 104

Gri
Grey

Code: CK-70 101



Mavi
Blue

Code: CK-70 107

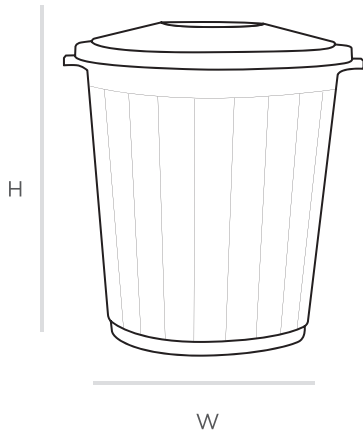


ÇÖP KOVALARI

WASTE BIN

Баки для мусора

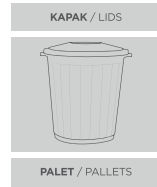
Ambalaj Şekli | Packaging Details



H
54,5 cm

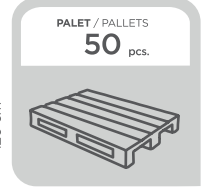
W
53 cm

kg
2,1 kg



130
cm-h

M 3	1,560 m ³
Palet İçi Bağ Adeti Bundle Quantity in Pallets	5 pcs.
Bağ Bundle	10 pcs.



100 cm

20 ft Load	10 pallets
40 ft Load	24 pallets
40 h ft Load	24 pallets
Standart Truck Load	26 pallets



Mavi
Blue **70 LT**

Code: TCK 107

Gri
Grey

Code: TCK 101



Kırmızı
Red

Code: TCK 104

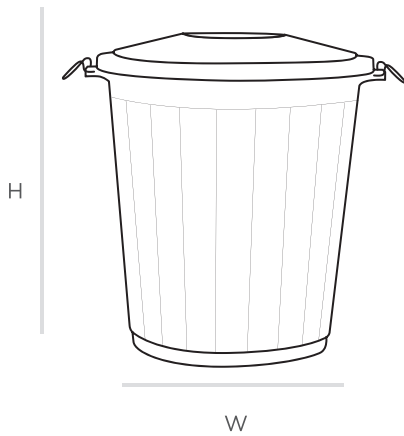


TELLİ ÇÖP KOVALARI

WIRE WASTE BIN

Мусорный бак с крышкой на зажимах на 70 литров

Ambalaj Şekli | Packaging Details



H

54,5 cm

W

53 cm

KG

2,250 kg

KAPAK / LIDS



PALET / PALLETS

130
cm-h

M 3

1,560 m³

Palet İçi Bağ Adeti Bundle
Quantity in Pallets

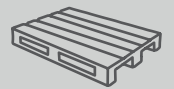
5 pcs.

Bağ
Bundle

10 pcs.

PALET / PALLETS

50 pcs.



120 cm

100 cm

20 ft Load

10 pallets

40 ft Load

24 pallets

40 h ft Load

24 pallets

Standart Truck Load

26 pallets



* The accessories on the models shown may differ from those on the models sold.



Mavi
Blue **90 LT**

Code: BCK 107

Gri
Grey

Code: BCK 101



Kırmızı
Red

Code: BCK 104



Siyah
Black

Code: BCK 103

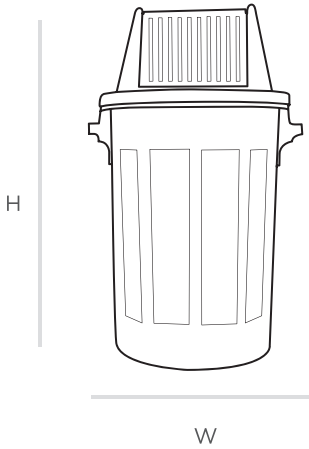


BÜFE TİPİ ÇÖP KOVALARI

BUFFET TYPE WASTE BINS

Мусорный бак типа буфет

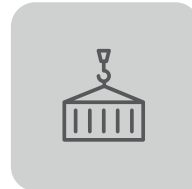
Ambalaj Şekli | Packaging Details



H	87,5 cm
W	51,5 cm
KG	3,9 kg

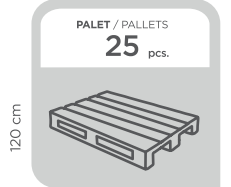


PALET / PALLETS



153 cm-h

M 3	1,836 m ³
Palet İçi Bağ Adeti Bundle Quantity in Pallets	5 pcs.
Bağ Bundle	5 pcs.



120 cm

100 cm

20 ft Load	10 pallets
40 ft Load	24 pallets
40 h ft Load	24 pallets
Standart Truck Load	26 pallets



Kırmızı 90 LT
Red

Code: JCK 104

Gri
Grey

Code: JCK 101



Mavi
Blue

Code: JCK 107



Siyah
Black

Code: JCK 103

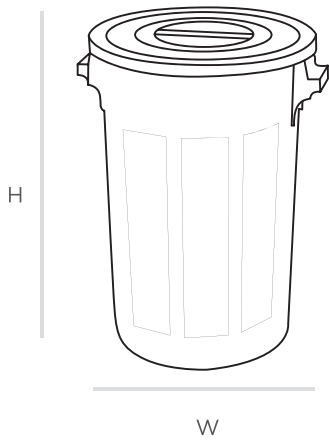


JUMBO SANAYİ TİPİ ÇÖP KOVALARI

JUMBO INDUSTRIAL WASTE BINS

Мусорный контейнер промышленного типа

Ambalaj Şekli | Packaging Details

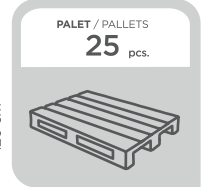


H
66 cm
W
51,5 cm
KG
3,6 kg



153
cm-h

M 3	1,836 m ³
Palet içi Bağ Adeti Bundle Quantity in Pallets	5 pcs.
Bağ Bundle	5 pcs.



20 ft Load	10 pallets
40 ft Load	24 pallets
40 h ft Load	24 pallets
Standart Truck Load	26 pallets

* The accessories on the models shown may differ from those on the models sold.

***SIFIR
ATIK KOVALARI***

***ZERO
WASTE BINS***





Sarı
Yellow **70 LT**

Code: **SAO-70 105**



Yeşil
Green **Cam Atık**
Glass Waste

Code: **SAO-70 111**



Mavi
Blue **Kağıt Atık**
Paper Waste

Code: **SAO-70 107**



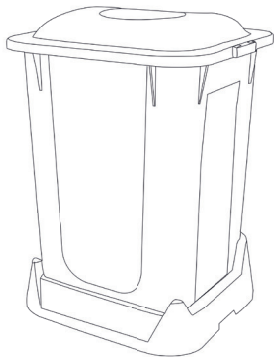
Gri
Grey **Metal Atık**
Metal Waste

Code: **SAO-70 101**

SIFIR ATIK KOVALARI 70 LT

ZERO WASTE BINS (PAPER WASTE)
нулевые мусорные баки (Бумажные отходы)

Ambalaj Şekli | Packaging Details



H

W

H

75 cm

W

43 cm

KG

3,4 kg

KAPAK / LIDS



PALET / PALLETS



153
cm-h

M 3

1,140 m³

Palet İçi Bağ Adeti Bundle
Quantity in Pallets

9 pcs.

Bağ
Bundle

4 pcs.

PALET / PALLETS

36
pcs.

120 cm



100 cm

20 ft Load

10 pallets

40 ft Load

24 pallets

40 h ft Load

24 pallets

Standart Truck Load

26 pallets



Yeşil
Green

50 LT

Code: SAO-50 111



Sarı Plastik Atık
Yellow Plastic Waste

Code: SAO-50 105



Gri Metal Atık
Grey Metal Waste

Code: SAO-50 101



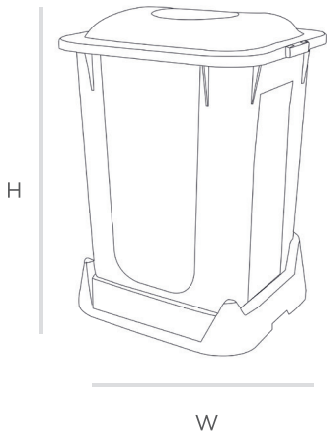
Mavi Kağıt Atık
Blue Paper Waste

Code: SAO-50 107

SIFIR ATIK KOVALARI 50 LT

ZERO WASTE BINS (PAPER WASTE)
нулевые мусорные баки (Бумажные отходы)

Ambalaj Şekli | Packaging Details



H
60 cm
W
43 cm
KG
3 kg



153
cm-h

PALET / PALLETS



M 3	1,140 m ³
Palet İçi Bağ Adeti Bundle Quantity in Pallets	9 pcs.
Bağ Bundle	4 pcs.

PALET / PALLETS
45 pcs.
120 cm
100 cm

20 ft Load	10 pallets
40 ft Load	24 pallets
40 h ft Load	24 pallets
Standart Truck Load	26 pallets

* The accessories on the models shown may differ from those on the models sold.



Mavi
Blue **70 LT**

Code: SAN-70 107



Yeşil **Cam Atık**
Green Glass Waste

Code: SAN-70 111



Gri **Metal Atık**
Grey Metal Waste

Code: SAN-70 101



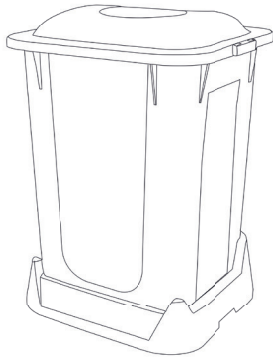
Sarı **Plastik Atık**
Yellow Plastic Waste

Code: SAN-70 105

SIFIR ATIK KOVALARI NATUREL 70 LT

ZERO WASTE BINS NATURAL (PAPER WASTE)
нулевые мусорные баки (Бумажные отходы)

Ambalaj Şekli | Packaging Details



H

W

H

75 cm

W

43 cm

KG

3,4 kg

KAPAK / LIDS



PALET / PALLETS

153
cm-h

M 3

1,140 m³

Palet İçi Bağ Adeti Bundle
Quantity in Pallets

9
pcs.

Bağ
Bundle

4
pcs.

PALET / PALLETS

36
pcs.

120 cm



100 cm

20 ft Load

10 pallets

40 ft Load

24 pallets

40 h ft Load

24 pallets

Standart Truck Load

26 pallets



Gri
Grey

50 LT

Code: SAN-50 101



Yeşil
Green

Cam Atık
Glass Waste

Code: SAN-50 111



Mavi
Blue

Kağıt Atık
Paper Waste

Code: SAN-70 107



Sarı
Yellow

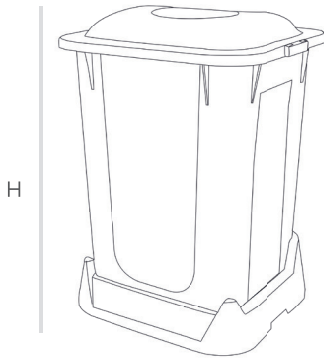
Plastik Atık
Plastic Waste

Code: SAN-70 105

SIFIR ATIK KOVALARI NATUREL 50 LT

ZERO WASTE BINS NATURAL (PAPER WASTE)
нулевые мусорные баки (Бумажные отходы)

Ambalaj Şekli | Packaging Details



H

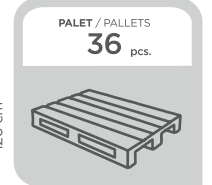
W

H
75 cm
W
43 cm
KG
3,4 kg



153
cm-h

M 3	1,140 m ³
Palet İçi Bağ Adeti Bundle Quantity in Pallets	9 pcs.
Bağ Bundle	4 pcs.



120 cm

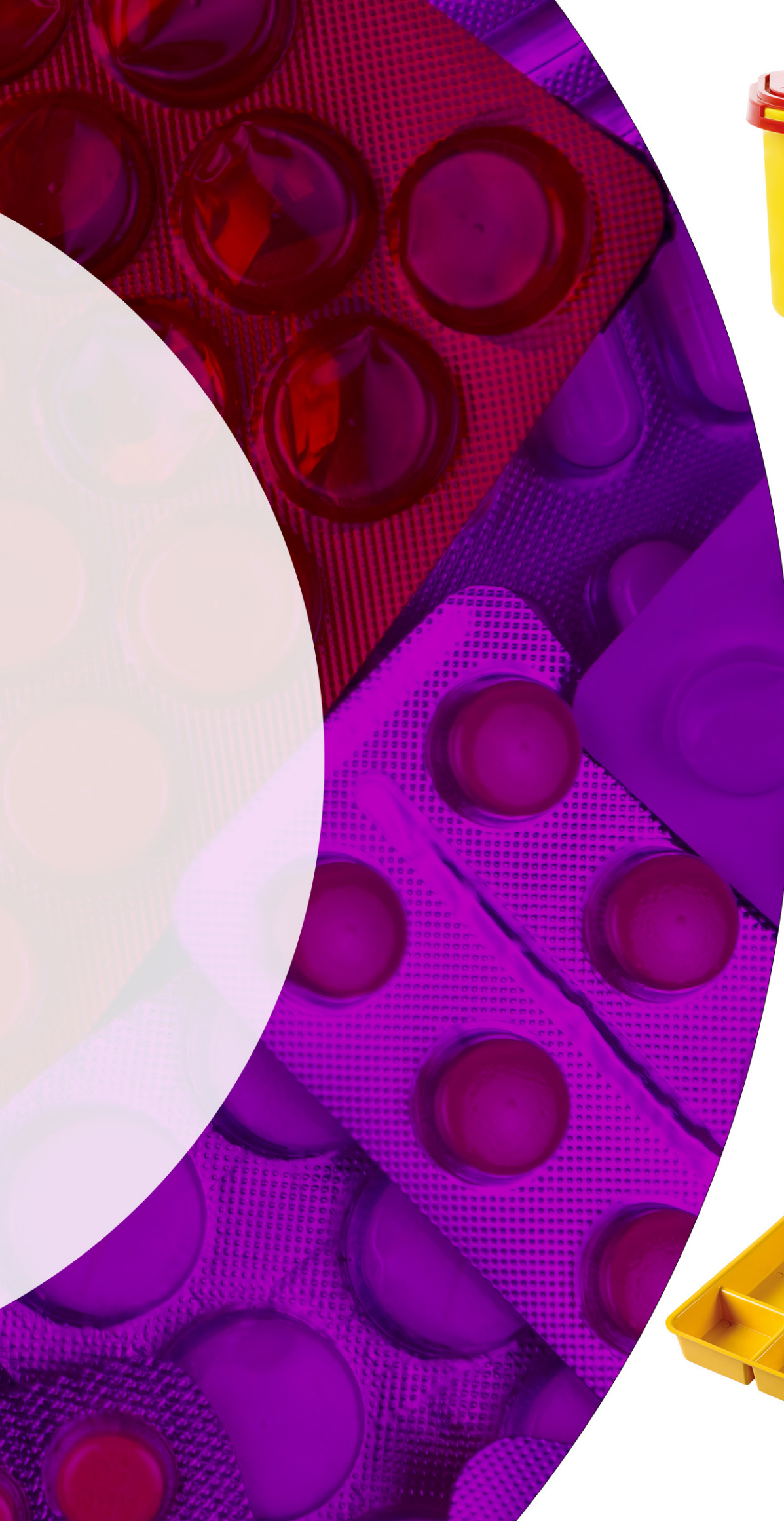
100 cm

20 ft Load	10 pallets
40 ft Load	24 pallets
40 h ft Load	24 pallets
Standart Truck Load	26 pallets

* The accessories on the models shown may differ from those on the models sold.

***MEDİKAL
ÇÖP KOVALARI***

***MEDICAL
WASTE BINS***





1,3 LT

Code: EA 13

ENFEKTE ATIK KOVALARI

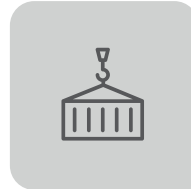
MEDICAL WASTE BINS SHARP BOX

ведро для инфицированных отходов

Ambalaj Şekli | Packaging Details



H	13 cm
L	13,5 cm
KG	0,113 kg



W	47 cm	M 3	0,221 m3
L	80 cm	Koli İçi Adeti Inside The Box	
H	59 cm	204	
KG	26 kg		
20 ft Load		155 BOX	
40 ft Load		310 BOX	
40 h ft Load		360 BOX	
Standart Truck Load		425 BOX	

LİTRE SEÇENEKLERİ

LT CHOICES

LT ВЫБОРЫ



Code: EA 20

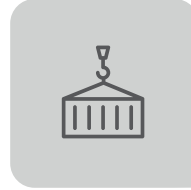
2 LT

H	16 cm
L	20 cm
KG	0,220 kg



L	45 cm
H	75 cm
KG	21,3 kg

Koli İçi Adeti Inside The Box	
150	



20 ft Load	200 BOX
40 ft Load	430 BOX
40 h ft Load	460 BOX
Standart Truck Load	590 BOX



Code: EA 35

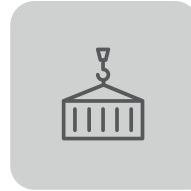
3,5 LT

H	16 cm
L	20 cm
KG	0,220 kg



W	45 cm
L	45 cm
H	75 cm
KG	21,5 kg

M 3	0,152 m ³
Koli İçi Adeti Inside The Box	
80	



20 ft Load	200 BOX
40 ft Load	430 BOX
40 h ft Load	460 BOX
Standart Truck Load	590 BOX



Code: EA 50

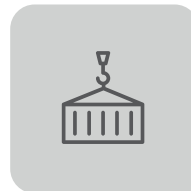
5 LT

H	17,5 cm
L	23 cm
KG	0,264 kg



W	51 cm
L	51 cm
H	71 cm
KG	22 kg

M 3	0,185 m ³
Koli İçi Adeti Inside The Box	
75	



20 ft Load	160 BOX
40 ft Load	355 BOX
40 h ft Load	380 BOX
Standart Truck Load	485 BOX

* The accessories on the models shown may differ from those on the models sold.

ENFEKTE ATIK KOVALARI

MEDICAL WASTE BINS SHARP BOX

ведро для инфицированных отходов

Ambalaj Şekli | Packaging Shape

Code: EA 70

7 LT

H	20 cm
L	26 cm
KG	0,353 kg



W	56,5 cm	M 3	0,180 m ³
L	57 cm	Koli İçi Adeti Inside The Box	
H	71 cm		
KG	22 kg	70	
20 ft Load		165 BOX	
40 ft Load		365 BOX	
40 h ft Load		390 BOX	
Standart Truck Load		500 BOX	



Code: EA 80

8 LT

H	26 cm
L	20 cm
KG	0,353 kg



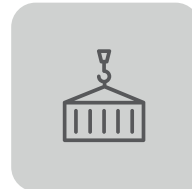
W	56,5 cm	M 3	0,174 m ³
L	57 cm	Koli İçi Adeti Inside The Box	
H	71 cm		
KG	22 kg	60	
20 ft Load		165 BOX	
40 ft Load		365 BOX	
40 h ft Load		490 BOX	
Standart Truck Load		500 BOX	



Code: EA 100

10 LT

H	24 cm
L	26 cm
KG	0,442 kg



W	56 cm	M 3	0,289 m ³
L	56 cm	Koli İçi Adeti Inside The Box	
H	92 cm		
KG	28,5 kg	60	
20 ft Load		105 BOX	
40 ft Load		230 BOX	
40 h ft Load		245 BOX	
Standart Truck Load		310 BOX	

LİTRE SEÇENEKLERİ

LT CHOICES

LT ВЫБОРЫ



Code: EA 200

20 LT

H	30 cm
L	31,5 cm
KG	0,815 kg



W	35,5 cm	M 3	0,234 m ³
L	65 cm	Koli İçi Adeti Inside The Box	
H	97,5 cm	30	
KG	29,5 kg		

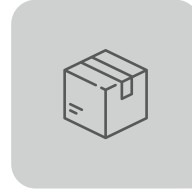
20 ft Load	128 BOX
40 ft Load	282 BOX
40 h ft Load	299 BOX
Standart Truck Load	384 BOX



Code: EA 250

25 LT

H	39,5 cm
L	28,5 cm
KG	0,762 kg



W	38 cm	M 3	0,272 m ³
L	73 cm	Koli İçi Adeti Inside The Box	
H	98 cm	25	
KG	24 kg		

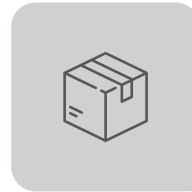
20 ft Load	110 BOX
40 ft Load	242 BOX
40 h ft Load	257 BOX
Standart Truck Load	330 BOX



Code: EA 300

30 LT

H	43 cm
L	52 cm
KG	0,891 kg



W	38 cm	M 3	0,272 m ³
L	73 cm	Koli İçi Adeti Inside The Box	
H	98 cm	25	
KG	24 kg		

20 ft Load	110 BOX
40 ft Load	242 BOX
40 h ft Load	257 BOX
Standart Truck Load	330 BOX

* The accessories on the models shown may differ from those on the models sold.



3,5 LT

Code: TC 35

TIBBİ CAM ATIK KOVALARI

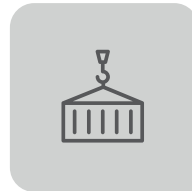
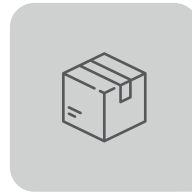
MEDICAL GLASS WASTE SHARP BOX

ведро для мусора для медицинских отходов из стекла

Ambalaj Şekli | Packaging Details



H	16 cm
L	20 cm
KG	0,220 kg



W	45 cm	M 3	0,152 m3
L	45 cm	Koli İçi Adeti Inside The Box	
H	75 cm	80	
KG	21,3 kg		
20 ft Load		200 BOX	
40 ft Load		430 BOX	
40 h ft Load		460 BOX	
Standart Truck Load		590 BOX	

LİTRE SEÇENEKLERİ

LT CHOICES

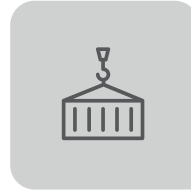
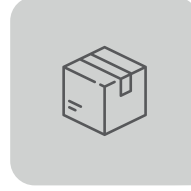
LT ВЫБОРЫ



Code: TC 50

5 LT

H	17,5 cm
L	23 cm
KG	0,264 kg



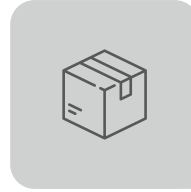
W	50 cm	M 3	0,185 m ³
L	50 cm	Koli İçi Adeti Inside The Box	
H	70 cm	80	
KG	21,3 kg		
20 ft Load		160 BOX	
40 ft Load		355 BOX	
40 h ft Load		380 BOX	
Standart Truck Load		485 BOX	



Code: TC 80

8 LT

H	26 cm
L	20 cm
KG	0,353 kg



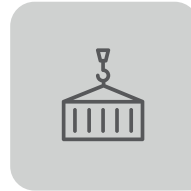
W	49 cm	M 3	0,174 m ³
L	49 cm	Koli İçi Adeti Inside The Box	
H	75 cm	60	
KG	24,3 kg		
20 ft Load		165 BOX	
40 ft Load		365 BOX	
40 h ft Load		490 BOX	
Standart Truck Load		500 BOX	



Code: TC 100

10 LT

H	24 cm
L	26 cm
KG	0,442 kg



W	56 cm	M 3	0,289 m ³
L	56 cm	Koli İçi Adeti Inside The Box	
H	92 cm	60	
KG	31 kg		
20 ft Load		105 BOX	
40 ft Load		230 BOX	
40 h ft Load		245 BOX	
Standart Truck Load		310 BOX	

* The accessories on the models shown may differ from those on the models sold.

TIBBİ CAM ATIK KOVALARI

MEDICAL GLASS WASTE SHARP BOX

ведро для мусора для медицинских отходов из стекла



Code: TC 200

20 LT

H	30 cm
L	31,5 cm
KG	0,815 kg



W	35 cm	M 3	0,234 m ³
L	65 cm	Koli İçi Adeti Inside The Box	
H	103 cm	30	
KG	26 kg		
20 ft Load		128 BOX	
40 ft Load		282 BOX	
40 h ft Load		299 BOX	
Standart Truck Load		384 BOX	



Code: TC 250

25 LT

H	39,5 cm
L	28,5 cm
KG	0,762 kg



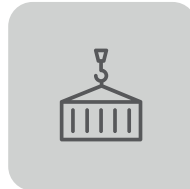
W	38 cm	M 3	0,272 m ³
L	73 cm	Koli İçi Adeti Inside The Box	
H	98 cm	25	
KG	23,9 kg		
20 ft Load		110 BOX	
40 ft Load		242 BOX	
40 h ft Load		257 BOX	
Standart Truck Load		330 BOX	



Code: TC 300

30 LT

H	43 cm
L	52 cm
KG	0,891 kg



W	38 cm	M 3	0,272 m ³
L	73 cm	Koli İçi Adeti Inside The Box	
H	98 cm	25	
KG	24,8 kg		
20 ft Load		110 BOX	
40 ft Load		242 BOX	
40 h ft Load		257 BOX	
Standart Truck Load		330 BOX	



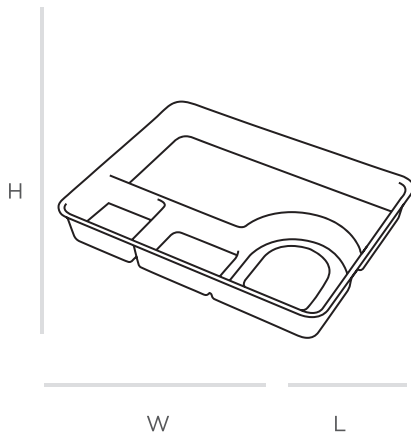
Code: TT 100

TEDAVİ TEPSİSİ

NURSE TRAY

Лечебный лоток

Ambalaj Şekli | Packaging Details



W	31,5 cm
H	4,5 cm
L	24,5 cm
KG	0,275 kg



W	33 cm	M 3	0,028 m3
L	26,5 cm	Koli İçi Adeti Inside The Box	
H	32,5 cm	12	
KG	3 kg		



20 ft Load	1080 BOX
40 ft Load	2360 BOX
40 h ft Load	2715 BOX
Standart Truck Load	3215 BOX

* The accessories on the models shown may differ from those on the models sold.

***TEMİZLİK KOVALAR
MOP ARABALARI***

***CLEANING BUCKET
MOP TROLLEY***





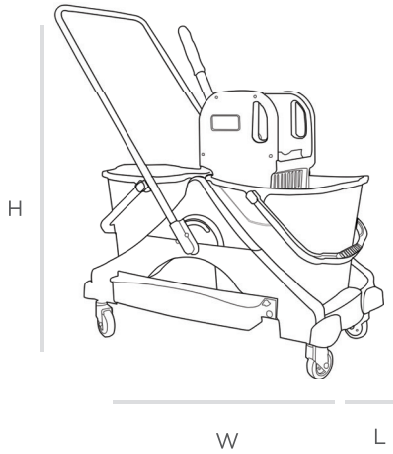
Kırmızı - Mavi
Red-Blue

Code: MPA 100

ÇİFT KOVALI PLASTİK MOP ARABASI

MOP TROLLEY
NO 5 ОЧИСТИТЕЛЬНОЕ ВЕДРО

Ambalaj Şekli | Packaging Details



H
96 cm
L
52 cm
W
72 cm
KG
6,8 kg



W	45,5 cm	M 3	0,138 m3
L	37,5 cm	Koli İçi Adeti Inside The Box	
H	77,5 cm	1	
KG	8 kg		
20 ft Load	217 BOX		
40 ft Load	478 BOX		
40 h ft Load	507 BOX		
Standart Truck Load	898 BOX		



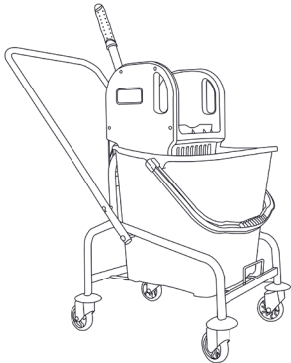
Kırmızı - Mavi
Red-Blue

Code: MPA 106

ÇİFT KOVALI PLASTİK MOP ARABASI NATUREL

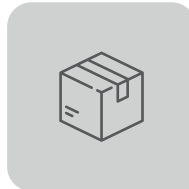
MOP TROLLEY NATURAL
NO 5 ОЧИСТИТЕЛЬНОЕ ВЕДРО естественный

Ambalaj Şekli | Packaging Details



H

H
81 cm
L
47 cm
W
38 cm
KG
5 kg



W	51 cm	M 3	0,210 m3
L	52 cm	Koli İçi Adeti Inside The Box	
H	79 cm	1	
KG	11,9 kg		



20 ft Load	142 BOX
40 ft Load	314 BOX
40 h ft Load	333 BOX
Standart Truck Load	428 BOX

* The accessories on the models shown may differ from those on the models sold.



Kırmızı - Mavi
Red-Blue

Code: MPA 101

ÇİFT KOVALI TEMİZLİK ARABASI KROMAJLI

DOUBLE BUCKET CHROME BASED MOP TROLLEY
NO 5 ОЧИСТИТЕЛЬНОЕ ВЕДРО

Ambalaj Şekli | Packaging Details



H

W

L

H	79 cm
L	39 cm
W	73 cm
KG	6,3 kg



W	43 cm	M 3	0,277 m ³
L	75 cm	Koli İçi Adeti Inside The Box	
H	86 cm	2	
KG	14,6 kg		
20 ft Load	108 BOX		
40 ft Load	238 BOX		
40 h ft Load	252 BOX		
Standart Truck Load	324 BOX		



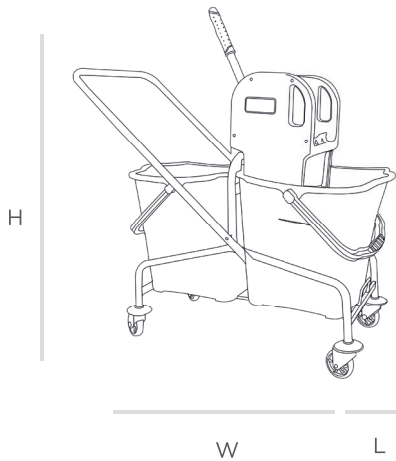
Kırmızı - Mavi
Red-Blue

Code: MPA 101

ÇİFT KOVALI TEMİZLİK ARABASI KROMAJLI NATUREL

DOUBLE BUCKET CHROME BASED MOP TROLLEY NATURAL
NO 5 ОЧИСТИТЕЛЬНОЕ ВЕДРО

Ambalaj Şekli | Packaging Details



H	79 cm
L	39 cm
W	73 cm
KG	6,3 kg



W	43 cm	M 3	0,277 m ³
L	75 cm	Koli İçi Adeti Inside The Box	
H	86 cm	2	
KG	14,6 kg		
20 ft Load		108 BOX	
40 ft Load		238 BOX	
40 h ft Load		252 BOX	
Standart Truck Load		324 BOX	

* The accessories on the models shown may differ from those on the models sold.



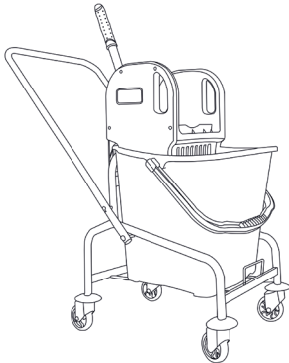
Kırmızı - Mavi
Red-Blue

Code: MPA 102

ÇİFT KOVALI MOP ARABASI NATUREL

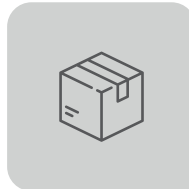
SINGLE BUCKET CHROME BASED MOP TROLLEY
NO 5 ОЧИСТИТЕЛЬНОЕ ВЕДРО

Ambalaj Şekli | Packaging Details



H

H
81 cm
L
47 cm
W
38 cm
KG
5 kg



W	51 cm	M 3	0,210 m3
L	52 cm	Koli İçi Adeti Inside The Box	
H	79 cm	2	
KG	11,9 kg		
20 ft Load	142 BOX		
40 ft Load	314 BOX		
40 h ft Load	333 BOX		
Standart Truck Load	428 BOX		

RENK SEÇENEKLERİ

COLOUR CHOICES

ЦВЕТНЫЕ ВЫБОРЫ

2x25 LT



MOP ARABASI YEDEK KOVA 25 LT

SPARE PART BUCKETS 25 LT
Ковши для запчастей 25 LT

H
38 cm

W
36 cm

KG
0,859 kg



Code: MPA 103

W	42,5	M 3	0,188 m3
L	76 cm	Koli İçi Adeti Inside The Box	
H	63 cm	20	
KG	18 kg		

20 ft Load	159 BOX
40 ft Load	351 BOX
40 h ft Load	372 BOX
Standart Truck Load	478 BOX

MOP ARABASI YEDEK PRESS

PRESS
Нажмите

H
48,5 cm

W
23,5 cm

KG
1,853 kg



Code: MPA 104

W	45 cm	M 3	0,151 m3
L	66 cm	Koli İçi Adeti Inside The Box	
H	51 cm	8	
KG	16,2 kg		

20 ft Load	198 BOX
40 ft Load	437 BOX
40 h ft Load	463 BOX
Standart Truck Load	596 BOX

MOP ARABASI YEDEK KOVA NATUREL 25 LT

SPARE PART BUCKETS NATURAL 25 LT
Ковши для запчастей естественный 25 LT

H
38 cm

W
36 cm

KG
0,859 kg



Code: MPA 107

W	42 cm	M 3	0,188 m3
L	71 cm	Koli İçi Adeti Inside The Box	
H	63 cm	20	
KG	18 kg		

20 ft Load	159 BOX
40 ft Load	351 BOX
40 h ft Load	372 BOX
Standart Truck Load	478 BOX

MOP ARABASI YEDEK PRESS NATUREL

PRESS NATURAL
Нажмите естественный

H
48,5 cm

W
23,5 cm

KG
1,853 kg



Code: MPA 108

W	45,5 cm	M 3	0,151 m3
L	65,5 cm	Koli İçi Adeti Inside The Box	
H	51,5 cm	8	
KG	18 kg		

20 ft Load	198 BOX
40 ft Load	437 BOX
40 h ft Load	463 BOX
Standart Truck Load	596 BOX



2x25 LT





Mavi
Blue **12 LT**

Code: TK 107

Kırmızı
Red

Code: TK 104



Sarı
Yellow

Code: TK 105



Yeşil
Green

Code: TK 111



Pembe
Pink

Code: TK 112

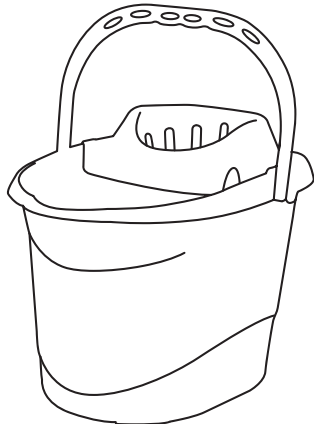


COMFORT TEMİZLİK KOVALARI

COMFORT CLEANING BUCKET

Ведра для уборки Comfort

Ambalaj Şekli | Packaging Details



H

W

H

37 cm

W

26 cm

KG

0,523 kg



W 40 cm

L 58 cm

H 54 cm

KG 14,5 kg

M 3 0,119 m3

Koli İçi Adeti
Inside The Box

24

20 ft Load

277 BOX

40 ft Load

554 BOX

40 h ft Load

638 BOX

Standart Truck Load

756 BOX





Renkli 12 LT
Multi Colour

Code: TS 200

Sarı
Yellow



Yeşil
Green



Pembe
Pink



Mavi
Blue



COMFORT TEMİZLİK SETİ

COMFORT CLEANING SET

Набор для уборки Comfort

Ambalaj Şekli | Packaging Details



H	128 cm
W	17,5 cm
KG	0,808 kg



W	30,5 cm	M3	0,149 m3
L	40,5 cm	Koli İçi Adeti Inside The Box	
H	121 cm	20	
KG	17,5 kg		
20 ft Load		221 BOX	
40 ft Load		442 BOX	
40 h ft Load		510 BOX	
Standart Truck Load		604 BOX	

* The accessories on the models shown may differ from those on the models sold.



Kırmızı 12 LT
Red

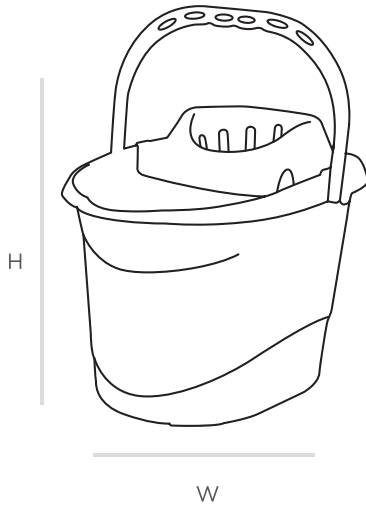
Code: ATK 104

A FORM SIKMALI TEMİZLİK KOVASI

A FORM CLEANING BUCKET WITH PRESS

ведра для уборки A Form

Ambalaj Şekli | Packaging Details



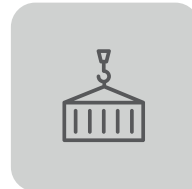
H
40,5 cm

W
28,5 cm

KG
0,523 kg



W	39 cm	M 3	0,119 m3
L	58 cm	Koli İçi Adeti Inside The Box	
H	53 cm	24	
KG	14,9 kg		



20 ft Load	277 BOX
40 ft Load	554 BOX
40 h ft Load	638 BOX
Standart Truck Load	756 BOX



Mavi
Blue

Renkli
Multi Colour

Code: **USM 200**



Yeşil
Green



Sarı
Yellow



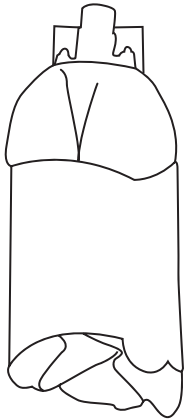
Pembe
Pink

A FORM ULTRA SOFT MOP

A FORM ULTRA SOFT MOP

A FORM Ультра мягкая швабра

Ambalaj Şekli | Packaging Details



H

28,5 cm

W

17,5 cm

KG

0,116 kg



W	50 cm	M 3	0,080 m3
L	21 cm	Koli İçi Adeti Inside The Box	
H	76 cm	50	
KG	6 kg		



20 ft Load	412 BOX
40 ft Load	825 BOX
40 h ft Load	950 BOX
Standart Truck Load	1125 BOX

* The accessories on the models shown may differ from those on the models sold.



Mavi
Blue **25 LT**

Code: TK-25 107

Gri
Grey

Code: TK-25 101



Kırmızı
Red

Code: TK-25 104



Sarı
Yellow

Code: TK-25 105



Yeşil
Green

Code: TK-25 111

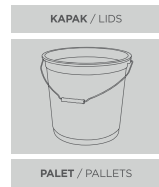
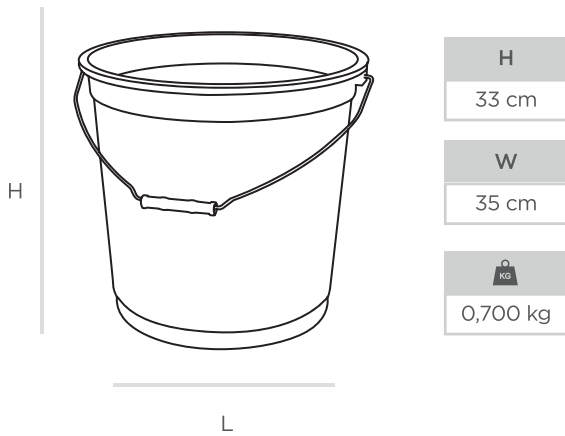


NO 5 TEMİZLİK KOVASI

NO 5 CLEANING BUCKET

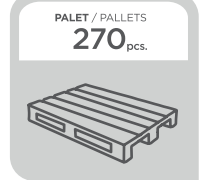
Ведро для уборки № 5

Ambalaj Şekli | Packaging Details



92
cm-h

M 3	1,104 m ³
Palet İçi Bağ Adeti Bundle Quantity in Pallets	9 pcs.
Bağ Bundle	30 pcs.



100 cm

20 ft Load	10 pallets
40 ft Load	24 pallets
40 h ft Load	24 pallets
Standart Truck Load	26 pallets



Kırmızı 10 LT
Red

Code: TK-10 104

Gri
Grey

Code: TK-10 101



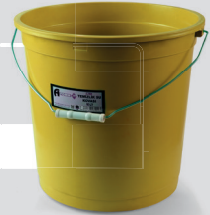
Mavi
Blue

Code: TK-10 107



Sarı
Yellow

Code: TK-10 105



Yeşil
Green

Code: TK-10 111

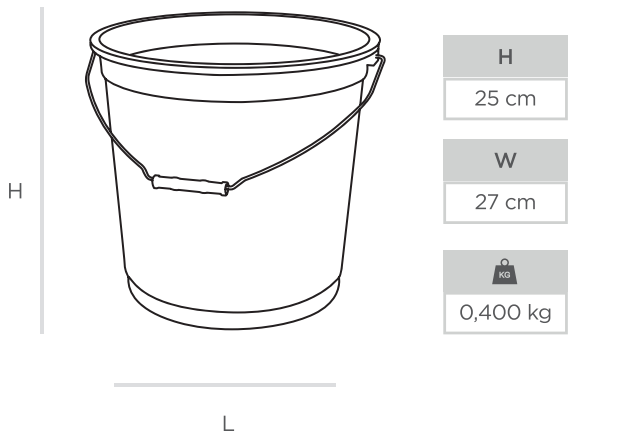


NO 3 TEMİZLİK KOVASI

NO 3 CLEANING BUCKET

Вебра для уборки № 3

Ambalaj Şekli | Packaging Details



KAPAK / LIDS	M 3	1,140 m ³	PALET / PALLETS	800 pcs.
	Palet İçi Bağ Adeti Bundle Quantity in Pallets	20 pcs.		100 cm
95 cm-h	Bağ Bundle	40 pcs.	120 cm	
	20 ft Load	10 pallets		
	40 ft Load	24 pallets		
	40 h ft Load	24 pallets		
	Standart Truck Load	26 pallets		

* The accessories on the models shown may differ from those on the models sold.

DİĞER ÜRÜNLER

DİĞER ÜRÜNLER

OTHER PRODUCTS

70/83



SEÇENEKLERİ

CHOICES

ВЫБОРЫ

NEMLİ MOP APARATLARI

MOP APPARATUS

Аппараты для швабры



Code:
MA-400 104



40 CM

W
10 cm

L
40 cm

kg
0,327 kg

Code:
MA-400 107



Code:
MA-400 105



Code:
MA-400 111



W

L

Code:
MA-500 107



50 CM

W
13 cm

L
50 cm

kg
0,418 kg

Code:
MA-500 111



Code:
MA-500 105



Code:
MA-500 104



W

L

Code:
MA-600 111



60 CM

W
10 cm

L
60 cm

kg
0,405 kg

Code:
MA-600 107



Code:
MA-600 105



Code:
MA-600 104



W

L



W	40,5 cm	M3	0,039 m3
L	42 cm	Koli İçi Adeti Inside The Box	
H	23 cm	20	
kg	8 kg		



20 ft Load	845 BOX
40 ft Load	1690 BOX
40 h ft Load	1950 BOX
Standart Truck Load	2310 BOX



W	40 cm	M3	0,053 m3
L	51 cm	Koli İçi Adeti Inside The Box	
H	26 cm	20	
kg	9 kg		



20 ft Load	650 BOX
40 ft Load	1295 BOX
40 h ft Load	1490 BOX
Standart Truck Load	1765 BOX



W	42,5 cm	M3	0,055 m3
L	61,5 cm	Koli İçi Adeti Inside The Box	
H	21 cm	20	
kg	9,6 kg		



20 ft Load	600 BOX
40 ft Load	1200 BOX
40 h ft Load	1380 BOX
Standart Truck Load	1635 BOX

RENK SEÇENEKLERİ

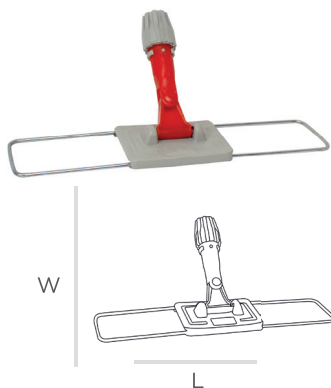
COLOUR CHOICES

ЦВЕТНЫЕ ВЫБОРЫ

NEMLİ TEL APARATLARI NATUREL

WIRED WET PLASTIC MOP KIT

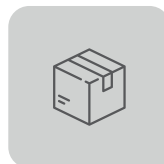
НАБОР ПРОВОДНОЙ ВЛАЖНОЙ ПЛАСТИКОВОЙ ШВАБЫ



40 CM

Code:
NTA 400

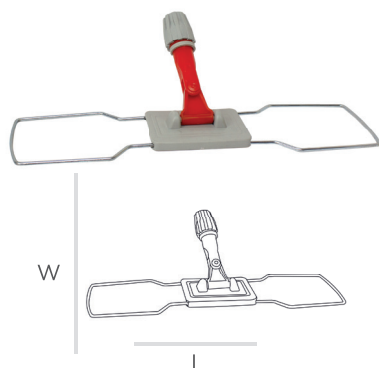
W	9 cm
L	40 cm
	0,245 kg



W	40 cm	M 3	0,039 m3
L	42 cm	Koli İçi Adeti Inside The Box	
H	23 cm	30	
	8,3 kg		



20 ft Load	845 BOX
40 ft Load	1690 BOX
40 h ft Load	1950 BOX
Standart Truck Load	2310 BOX



50 CM

Code:
NTA 500

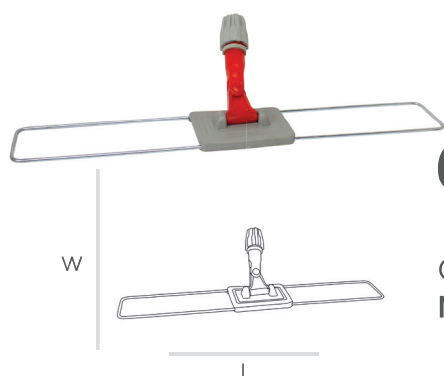
W	13 cm
L	60 cm
	0,283 kg



W	40 cm	M 3	0,052 m3
L	50 cm	Koli İçi Adeti Inside The Box	
H	26 cm	30	
	9,9 kg		



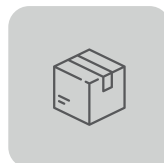
20 ft Load	650 BOX
40 ft Load	1295 BOX
40 h ft Load	1490 BOX
Standart Truck Load	1765 BOX



60 CM

Code:
NTA 600

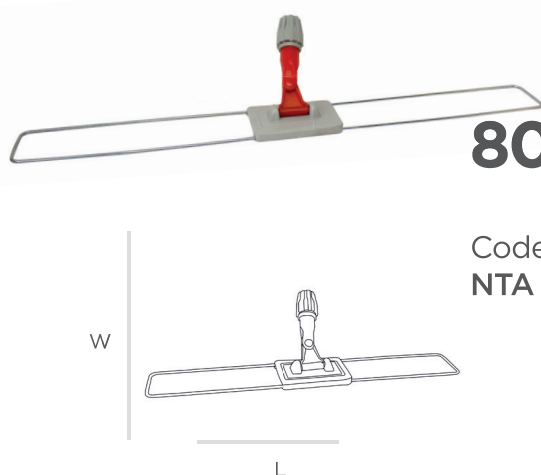
W	9 cm
L	60 cm
	0,325 kg



W	21 cm	M 3	0,054 m3
L	61 cm	Koli İçi Adeti Inside The Box	
H	42 cm	30	
	10,5 kg		



20 ft Load	600 BOX
40 ft Load	1200 BOX
40 h ft Load	1380 BOX
Standart Truck Load	1635 BOX



80 CM

Code:
NTA 800

W	9 cm
L	80 cm
	0,387 kg



W	42 cm	M 3	0,067 m3
L	80 cm	Koli İçi Adeti Inside The Box	
H	20 cm	30	
	12,2 kg		



20 ft Load	447 BOX
40 ft Load	985 BOX
40 h ft Load	1044 BOX
Standart Truck Load	1343 BOX

* The accessories on the models shown may differ from those on the models sold.

SEÇENEKLERİ

CHOICES

ВЫБОРЫ

NEMLİ MOP APARATLARI

MOP APPARATUS
Аппараты для швабры



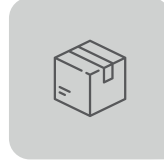
40 CM

Code:
NMA 400

W	10 cm
---	-------

L	40 cm
---	-------

KG	0,327 kg
----	----------



W	42 cm	M 3	0,037 m3
L	42 cm	Koli İçi Adeti Inside The Box	
H	20 cm	20	
KG	8 kg		

20 ft Load	845 BOX
40 ft Load	1690 BOX
40 h ft Load	1950 BOX
Standart Truck Load	2310 BOX



50 CM

Code:
NMA 500

W	10 cm
---	-------

L	50 cm
---	-------

KG	0,418 kg
----	----------



W	40 cm	M 3	0,052 m3
L	50,5 cm	Koli İçi Adeti Inside The Box	
H	26 cm	20	
KG	9 kg		

20 ft Load	650 BOX
40 ft Load	1295 BOX
40 h ft Load	1490 BOX
Standart Truck Load	1765 BOX



60 CM

Code:
NMA 600

W	10 cm
---	-------

L	60 cm
---	-------

KG	0,440 kg
----	----------



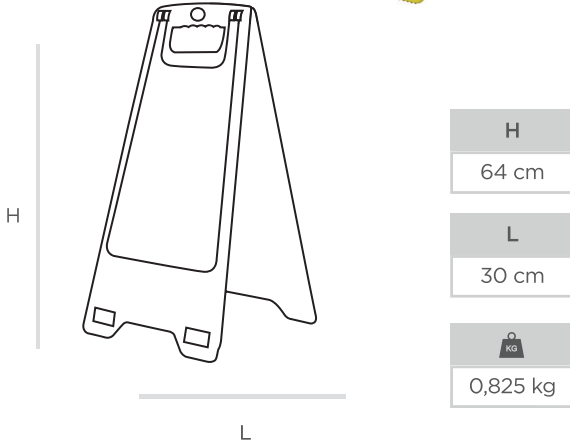
W	42,5 cm	M 3	0,054 m3
L	61,5 cm	Koli İçi Adeti Inside The Box	
H	21 cm	20	
KG	10 kg		

20 ft Load	600 BOX
40 ft Load	1200 BOX
40 h ft Load	1380 BOX
Standart Truck Load	1635 BOX

SEÇENEKLERİ

CHOICES

ВЫБОРЫ



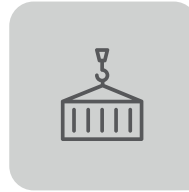
KAYGAN ZEMİN LEVHASI NATUREL

WARNING SIGN FOR SLIPPERY GROUND NATURAL
Напольная табличка "Скользкий пол"

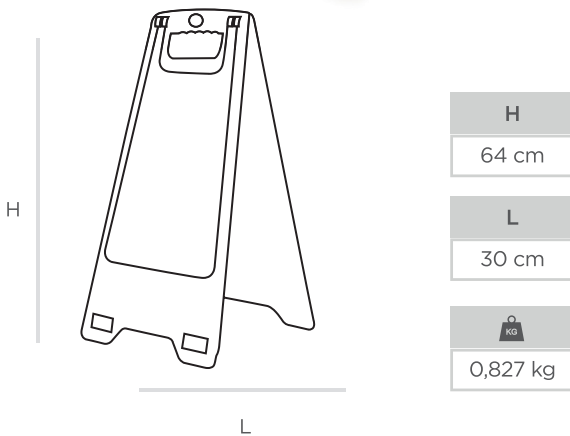
Code: KZL 100



W	31 cm	M3	0,085 m3
L	46 cm	Koli İçi Adeti Inside The Box	
H	65 cm		
KG	11,5 kg	12	



20 ft Load	380 BOX
40 ft Load	760 BOX
40 h ft Load	875 BOX
Standart Truck Load	1035 BOX



KAYGAN ZEMİN LEVHASI

WARNING SIGN FOR SLIPPERY GROUND
Напольная табличка "Скользкий пол"

Code: KZL 200



W	31 cm	M3	0,085 m3
L	46 cm	Koli İçi Adeti Inside The Box	
H	65 cm		
KG	10,5 kg	12	



20 ft Load	380 BOX
40 ft Load	760 BOX
40 h ft Load	875 BOX
Standart Truck Load	1035 BOX

* The accessories on the models shown may differ from those on the models sold.



Renkli
Multi Colour

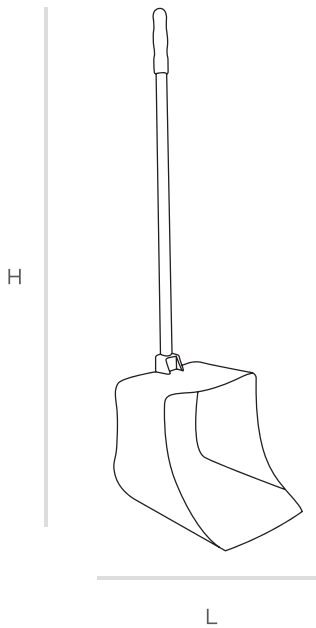
Code: **EF 111**

ENDÜSTRİYEL FARAŞ

INDUSTRIAL DUSTPAN

Совок промышленного типа

Ambalaj Şekli | Packaging Details



H
105 cm

L
25 cm

KG
1,192 kg



W	52 cm	M 3	0,293 m3
L	65 cm	Koli İçi Adeti Inside The Box	
H	87,5 cm	20	
KG	24,5 kg		



20 ft Load	113 BOX
40 ft Load	227 BOX
40 h ft Load	262 BOX
Standart Truck Load	310 BOX



Renkli
Multi Colour

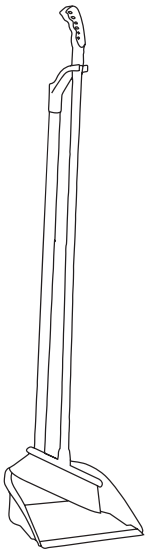
Code: LSF 200

LÜX SAPLI SÜPÜRGELİ FARAŞ

LUX DUSTPAN WITH BROOM

Совок с изящной ручкой

Ambalaj Şekli | Packaging Details



H	87,5 cm
W	24 cm
KG	0,463 kg

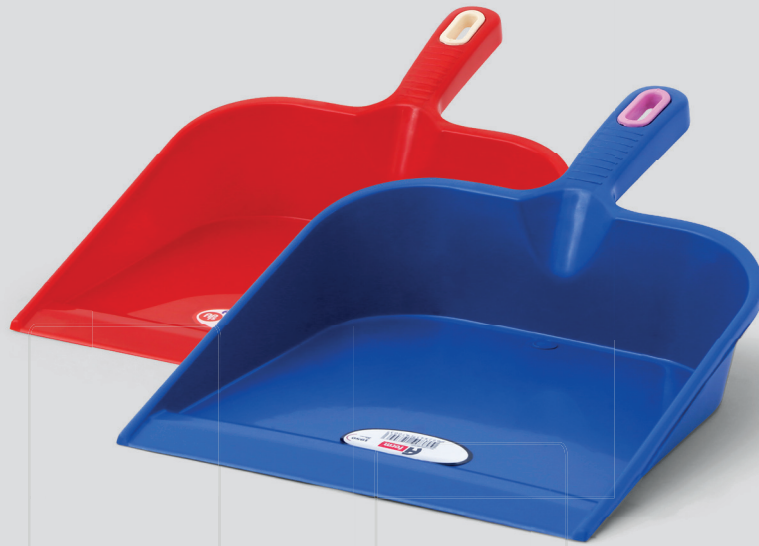


W	28,5 cm	M3	0,035 m3
L	84,5 cm	Koli İçi Adeti Inside The Box	
H	14,5 cm	12	
KG	5,9 kg		



20 ft Load	915 BOX
40 ft Load	1835 BOX
40 h ft Load	2110 BOX
Standart Truck Load	2500 BOX

* The accessories on the models shown may differ from those on the models sold.



Kırmızı
Red

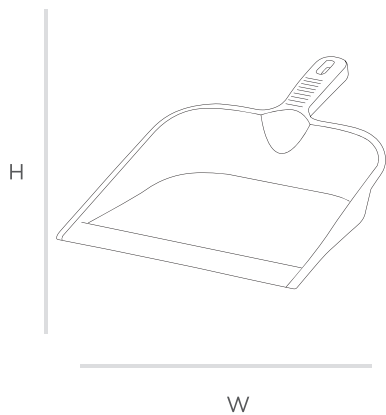
Mavi
Blue

Renkli
Multi Colour

Code: F-200

FARAŞ DUSTPAN СОБОК

Ambalaj Şekli | Packaging Details



H
13,5 cm

W
18 cm

KG
0,078 kg



W	52 cm	M 3	0,210 m3
L	65 cm	Koli İçi Adeti Inside The Box	
H	65,5 cm	288	
KG	23,9 kg		



20 ft Load	155 BOX
40 ft Load	310 BOX
40 h ft Load	355 BOX
Standart Truck Load	420 BOX



GONCA MUHAFAZALI KLOZET FIRÇASI

GONCA TOILET BRUSH

Гонца Туалетный ершик с подставкой



Beyaz
White

Pembe
Pink

Mavi
Blue

H

36 cm

W

14 cm

KG

0,160 kg

Renkli

Multi Colour

Code: GKF-200



W	56 cm	M 3	0,125 m3
L	56 cm	Koli İçi Adeti Inside The Box	
H	40 cm	32	
KG	6,1 kg		

20 ft Load	240
40 ft Load	528
40 h ft Load	560
Standart Truck Load	720

ORKİDE MUHAFAZALI KLOZET FIRÇASI NATUREL

ORKİDE TOILET BRUSH NATURAL

Orkide Туалетный ершик с подставкой



Beyaz
White

Pembe
Pink

Mavi
Blue

H

35 cm

W

12,5 cm

KG

0,160 kg

Renkli

Multi Colour

Code: OKF-200



W	50 cm	M 3	0,093 m3
L	50 cm	Koli İçi Adeti Inside The Box	
H	37 cm	32	
KG	6,59 kg		

20 ft Load	322 BOX
40 ft Load	709 BOX
40 h ft Load	752 BOX
Standart Truck Load	967 BOX

* The accessories on the models shown may differ from those on the models sold.



Renkli
Multi Colour

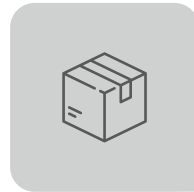
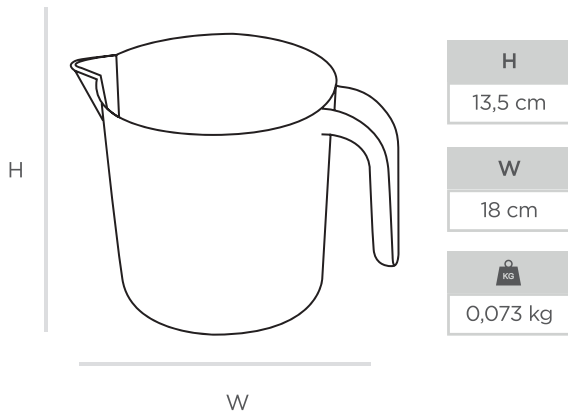
Code: YGM 200

YUNUS GEÇMELİ MAŞRAPA NATUREL

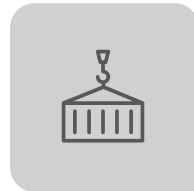
DOLPHIN STACKABLE BATHROOM MUG NATURAL

Ковш с дельфином

Ambalaj Şekli | Packaging Details



W	34,5 cm	M 3	0,125 m3
L	58,5 cm	Koli İçi Adeti Inside The Box	
H	61,5 cm	144	
KG	15,1 kg		



20 ft Load	265 BOX
40 ft Load	530 BOX
40 h ft Load	610 BOX
Standart Truck Load	720 BOX



Renkli
Multi Colour

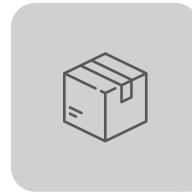
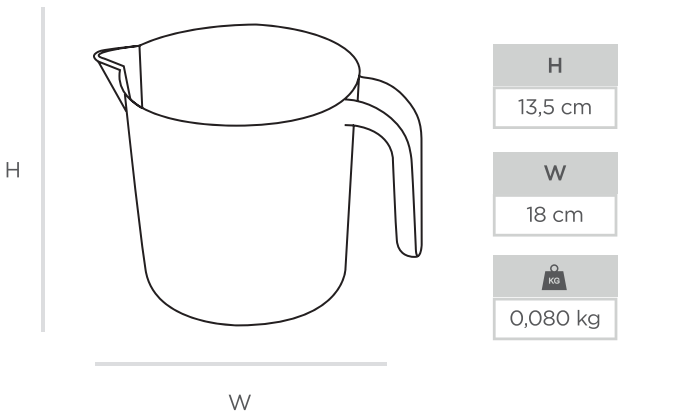
Code: **SGM 200**



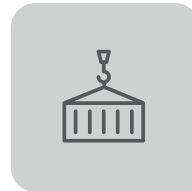
ŞEFFAF YUNUS GEÇMELİ MAŞRAPA ORJINAL

TRANSPARENT DOLPHIN STACKABLE BATHROOM MUG ORIGINAL
дельфином Прозрачный ковш

Ambalaj Şekli | Packaging Details



W	34,5 cm	M 3	0,125 m3
L	58,5 cm	Koli İçi Adeti Inside The Box	
H	61,5 cm	72	
KG	15,1 kg		



20 ft Load	265 BOX
40 ft Load	530 BOX
40 h ft Load	610 BOX
Standart Truck Load	720 BOX

* The accessories on the models shown may differ from those on the models sold.



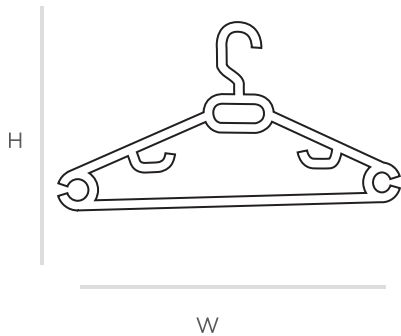
Code: ALE 200

KRİSTAL ELBİSE ASKISI

CRYSTAL DRESS HANGER

Kristal Вешалка для одежды

Ambalaj Şekli | Packaging Details



H
43 cm
W
22 cm
KG
0,457 kg



W	46 cm	M 3	0,065 m3
L	54 cm	Koli İçi Adeti Inside The Box	
H	26 cm	20	
KG	9,7 kg		



20 ft Load	461 BOX
40 ft Load	1015 BOX
40 h ft Load	1076 BOX
Standart Truck Load	1384 BOX



Yeşil
Green

Renkli
Multi Colour

Code: ALE 600



Mavi
Blue



Sarı
Yellow

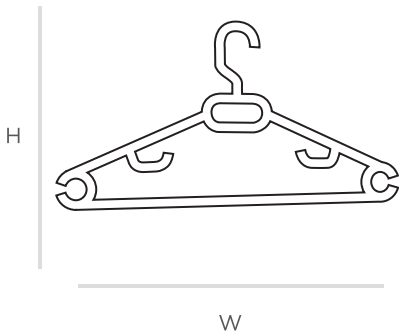


Kırmızı
Red

KLASMAN DÖNER BAŞLI ELBİSE ASKISI

KLASMAN DRESS HANGER WITH REVOLVER HEAD
Klasman Вешалка для одежды с вращающейся головкой

Ambalaj Şekli | Packaging Details



H	42 cm
W	22 cm
KG	0,411 kg



W	44 cm	M 3	0,058 m3
L	53 cm	Koli İçi Adeti Inside The Box	
H	25 cm	20	
KG	8 kg		



20 ft Load	570 BOX
40 ft Load	1140 BOX
40 h ft Load	1310 BOX
Standart Truck Load	1550 BOX

* The accessories on the models shown may differ from those on the models sold.

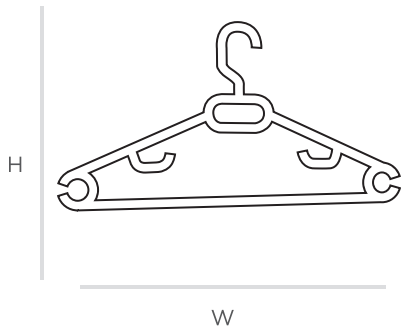
Sarı
YellowMavi
BlueKırmızı
RedYeşil
GreenRenkli
Multi Colour

Code: ALE 500

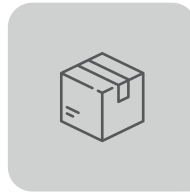
KLASİK SABİT BAŞLI ELBİSE ASKISI

CLASSIC DRESS HANGER WITH FIXED HEAD
Klasik Вешалка для одежды с фиксированной головкой

Ambalaj Şekli | Packaging Details



H	42 cm
W	22 cm
KG	0,388 kg



W	44 cm	M 3	0,058 m3
L	53 cm	Koli İçi Adeti Inside The Box	
H	25 cm	20	
KG	9,2 kg		



20 ft Load	570 BOX
40 ft Load	1140 BOX
40 h ft Load	1310 BOX
Standart Truck Load	1550 BOX



LÜKS DÖNER BAŞLI ELBİSE ASKISI

LUX DRESS HANGER WITH REVOLVER HEAD

LUX Вешалка для одежды с вращающейся головкой

Renkli
Multi Colour

Code: ALE 400



Mavi
Blue



Beyaz
White



Kırmızı
Red



Yeşil
Green

H

42 cm

W

22 cm

KG

0,370 kg



W	44 cm	M3	0,058 m3
L	53 cm	Koli İçi Adeti Inside The Box	
H	25 cm	20	
KG	8,2 kg		

20 ft Load	570 BOX
40 ft Load	1140 BOX
40 h ft Load	1310 BOX
Standart Truck Load	1550 BOX

LÜKS SABİT BAŞLI ELBİSE ASKISI

LUX DRESS HANGER WITH FIXED HEAD

LUX Вешалка для одежды с фиксированной головкой

Renkli
Multi Colour

Code: ALE 300



Mavi
Blue



Beyaz
White



Kırmızı
Red



Yeşil
Green

H

42 cm

W

22 cm

KG

0,384 kg



W	44 cm	M3	0,058 m3
L	53 cm	Koli İçi Adeti Inside The Box	
H	25 cm	20	
KG	8,8 kg		

20 ft Load	570
40 ft Load	1140
40 h ft Load	1310
Standart Truck Load	1550

* The accessories on the models shown may differ from those on the models sold.

SERTİFİKALAR

CERTIFICATES

Afacan Plastik, Uluslararası Standartlar Teşkilâtının ISO 9001 Kalite Yönetim Belgesi, ISO 14001 Çevre Yönetim Sistemi, OHSAS 18001 İş Sağlığı ve Güvenliği belgeleri ile tescillenmiştir. Üretim sürecinde, ürün kalitemizi arttırmak için dünyaca kabul gören standardizasyon kuruluşları tarafından incelenip belgelendirilen mühendislik plastiklerini kullanmaktadır.

Afacan Plastik is registered with ISO 9001 Quality Management Certificate, ISO 14001 Environmental Management System and OHSAS 18001 Occupational Health and Safety certificates of International Standards Organization. In the production process, it uses engineering plastics which are examined and documented by the world-accepted standardization organizations in order to improve our product quality.

inspect Certificate Sertifikası

Check Name and address
Müşteri ismi ve adresi

Afacan Plastik

AFACAN PLASTİK ENDÜSTRİYEL TEMİZLİK VE SAĞLIK ÜRÜNLERİ İNŞ. SAN. VE TİC. LTD. ŞTİ.

YENİ CAMI OSM MAH. 2. CAD NO:21 KAVAK SAMSUN - TÜRKİYE

Standard
ISO 14001:2015 Environmental Management System

Scope
Kapsam
ENDÜSTRİYEL PLASTİK TIBBİ ATIK KOVULAR, SAĞLIK ÜRÜNLERİ, SAĞLIK EKİPMANLARI, KAĞIT APARATLARI VE KOPUK VE DEZİNEKSİYON VERGİSİ APARATI, TEMİZLİK ARABASI (MOP ARABASI) ÜRETİMİ VE KİŞİSEL VE GENEL HAYAT ÜRÜNLERİNİN SATIŞI
MANUFACTURING OF INDUSTRIAL PLASTIC MEDICAL WASTE BUCKET HEALTH PRODUCTS, HEALTH EQUIPMENT, PAPER DISPENSERS AND FOAM DISPENSERS AND DISINFECTANT DISPENSERS, CLEANING CAR (MOP TRUCK) AND SELLING OF PERSONAL AND GENERAL HYGIENE PRODUCTS

EA Category Code: 14-20
Initial issue date: 13. Aug 2023
Issue date of this certificate: 30. Mar 2023
Validity of this certificate: 14. Apr 2025
Recertification date: 14. Apr 2025
Certificate No: 20.02.315-018

IAF IAS

inspect Certificate Sertifikası

Check Name and address
Müşteri ismi ve adresi

Afacan Plastik

AFACAN PLASTİK ENDÜSTRİYEL TEMİZLİK VE SAĞLIK ÜRÜNLERİ İNŞ. SAN. VE TİC. LTD. ŞTİ.

YENİ CAMI OSM MAH. 2. CAD NO:21 KAVAK SAMSUN - TÜRKİYE

Standard
ISO 45001:2018 Occupational Health and Safety Management System

Scope
Kapsam
ENDÜSTRİYEL PLASTİK TIBBİ ATIK KOVULAR, SAĞLIK ÜRÜNLERİ, SAĞLIK EKİPMANLARI, KAĞIT APARATLARI VE KOPUK VE DEZİNEKSİYON VERGİSİ APARATI, TEMİZLİK ARABASI (MOP ARABASI) ÜRETİMİ VE KİŞİSEL VE GENEL HAYAT ÜRÜNLERİNİN SATIŞI
MANUFACTURING OF INDUSTRIAL PLASTIC MEDICAL WASTE BUCKET HEALTH PRODUCTS, HEALTH EQUIPMENT, PAPER DISPENSERS AND FOAM DISPENSERS AND DISINFECTANT DISPENSERS, CLEANING CAR (MOP TRUCK) AND SELLING OF PERSONAL AND GENERAL HYGIENE PRODUCTS

EA Category Code: 14-20
Initial issue date: 13. Aug 2023
Issue date of this certificate: 30. Mar 2023
Validity of this certificate: 14. Apr 2025
Recertification date: 14. Apr 2025
Certificate No: 20.02.315-018

IAF IAS

inspect Certificate Sertifikası

Check Name and address
Müşteri ismi ve adresi

Afacan Plastik

AFACAN PLASTİK ENDÜSTRİYEL TEMİZLİK VE SAĞLIK ÜRÜNLERİ İNŞ. SAN. VE TİC. LTD. ŞTİ.

YENİ CAMI OSM MAH. 2. CAD NO:21 KAVAK SAMSUN - TÜRKİYE

Standard
ISO 9001:2015 Quality Management System

Scope
Kapsam
ENDÜSTRİYEL PLASTİK TIBBİ ATIK KOVULAR, SAĞLIK ÜRÜNLERİ, SAĞLIK EKİPMANLARI, KAĞIT APARATLARI VE KOPUK VE DEZİNEKSİYON VERGİSİ APARATI, TEMİZLİK ARABASI (MOP ARABASI) ÜRETİMİ VE KİŞİSEL VE GENEL HAYAT ÜRÜNLERİNİN SATIŞI
MANUFACTURING OF INDUSTRIAL PLASTIC MEDICAL WASTE BUCKET HEALTH PRODUCTS, HEALTH EQUIPMENT, PAPER DISPENSERS AND FOAM DISPENSERS AND DISINFECTANT DISPENSERS, CLEANING CAR (MOP TRUCK) AND SELLING OF PERSONAL AND GENERAL HYGIENE PRODUCTS

EA Category Code: 14-20
Initial issue date: 13. Aug 2023
Issue date of this certificate: 30. Mar 2023
Validity of this certificate: 14. Apr 2025
Recertification date: 14. Apr 2025
Certificate No: 20.02.315-018

IAF IAS

inspect Certificate Sertifikası

Check Name and address
Müşteri ismi ve adresi

Afacan Plastik

AFACAN PLASTİK ENDÜSTRİYEL TEMİZLİK VE SAĞLIK ÜRÜNLERİ İNŞ. SAN. VE TİC. LTD. ŞTİ.

YENİ CAMI OSM MAH. 2. CAD NO:21 KAVAK SAMSUN - TÜRKİYE

Standard
ISO 10002:2018 Quality Management-Customer Satisfaction

Scope
Kapsam
ENDÜSTRİYEL PLASTİK TIBBİ ATIK KOVULAR, SAĞLIK ÜRÜNLERİ, SAĞLIK EKİPMANLARI, KAĞIT APARATLARI VE KOPUK VE DEZİNEKSİYON VERGİSİ APARATI, TEMİZLİK ARABASI (MOP ARABASI) ÜRETİMİ VE KİŞİSEL VE GENEL HAYAT ÜRÜNLERİNİN SATIŞI
MANUFACTURING OF INDUSTRIAL PLASTIC MEDICAL WASTE BUCKET HEALTH PRODUCTS, HEALTH EQUIPMENT, PAPER DISPENSERS AND FOAM DISPENSERS AND DISINFECTANT DISPENSERS, CLEANING CAR (MOP TRUCK) AND SELLING OF PERSONAL AND GENERAL HYGIENE PRODUCTS

EA Category Code: 14-20
Initial issue date: 13. Aug 2023
Issue date of this certificate: 30. Mar 2023
Validity of this certificate: 14. Apr 2025
Recertification date: 14. Apr 2025
Certificate No: 20.02.315-018

IAF IAS

inspect Certificate Sertifikası

Check Name and address
Müşteri ismi ve adresi

Afacan Plastik

AFACAN PLASTİK ENDÜSTRİYEL TEMİZLİK VE SAĞLIK ÜRÜNLERİ İNŞ. SAN. VE TİC. LTD. ŞTİ.

YENİ CAMI OSM MAH. 2. CAD NO:21 KAVAK SAMSUN - TÜRKİYE

Standard
ISO 13485:2016

Scope
Kapsam
MEDICAL WASTE BINS SHARP BOX, MEDICAL GLASS WASTE BINS SHARP BOX, VARIOUS WASTE BINS, DISINFECTANT AND PAPER DISPENSER
INFECTED TIBBİ ATIK KOVULAR, TIBBİ CAM ATIK KOVULAR, MÜHÜRLEME ÇİP KOVULAR, DEZİNEKSİYON VE KAĞIT VERGİSİ APARATLARI

EA Category Code: 14-20
Initial issue date: 13. Aug 2023
Issue date of this certificate: 30. Mar 2023
Validity of this certificate: 14. Apr 2025
Recertification date: 14. Apr 2025
Certificate No: 20.02.315-018

MDC

Sertifika certificate

UYGUNLUK BELGESİ
CONFORMITY CERTIFICATE

Afacan Plastik

AFACAN PLASTİK ENDÜSTRİYEL TEMİZLİK VE SAĞLIK ÜRÜNLERİ İNŞ. SAN. VE TİC. LTD. ŞTİ.

YENİ CAMI OSM MAH. 2. CAD NO:21 KAVAK SAMSUN - TÜRKİYE

PRODUCT NAME
DİŞ SAĞLIK KOPUK VE DEZİNEKSİYON VERGİSİ APARATLARI, T.C. YEMEK SAĞLIK ÜRÜNLERİ İNŞ. SAN. VE TİC. LTD. ŞTİ.

APPLICANT
AFACAN PLASTİK ENDÜSTRİYEL TEMİZLİK VE SAĞLIK ÜRÜNLERİ İNŞ. SAN. VE TİC. LTD. ŞTİ.

MANUFACTURER
AFACAN PLASTİK ENDÜSTRİYEL TEMİZLİK VE SAĞLIK ÜRÜNLERİ İNŞ. SAN. VE TİC. LTD. ŞTİ.

TRADE MARK(S)
T.C. YEMEK SAĞLIK ÜRÜNLERİ İNŞ. SAN. VE TİC. LTD. ŞTİ.

BASE OF CONFORMITY
T.C. YEMEK SAĞLIK ÜRÜNLERİ İNŞ. SAN. VE TİC. LTD. ŞTİ.

APPLICABLE STANDARDS
T.C. YEMEK SAĞLIK ÜRÜNLERİ İNŞ. SAN. VE TİC. LTD. ŞTİ.

INSPECTION
T.C. YEMEK SAĞLIK ÜRÜNLERİ İNŞ. SAN. VE TİC. LTD. ŞTİ.

CE

inspect Certificate Sertifikası

Check Name and address
Müşteri ismi ve adresi

Afacan Plastik

AFACAN PLASTİK ENDÜSTRİYEL TEMİZLİK VE SAĞLIK ÜRÜNLERİ İNŞ. SAN. VE TİC. LTD. ŞTİ.

YENİ CAMI OSM MAH. 2. CAD NO:21 KAVAK SAMSUN - TÜRKİYE

Product:
Medical Waste Bins Sharp Box
MEDICAL GLASS WASTE BINS SHARP BOX
Various Waste Bins
Various Waste Bins

Model(s):
T.C. YEMEK SAĞLIK ÜRÜNLERİ İNŞ. SAN. VE TİC. LTD. ŞTİ.

Verification to:
T.C. YEMEK SAĞLIK ÜRÜNLERİ İNŞ. SAN. VE TİC. LTD. ŞTİ.

Inspection date: 02 October 2023

Expiry date: 01 October 2025

ECM

inspect Certificate Sertifikası

Check Name and address
Müşteri ismi ve adresi

Afacan Plastik

AFACAN PLASTİK ENDÜSTRİYEL TEMİZLİK VE SAĞLIK ÜRÜNLERİ İNŞ. SAN. VE TİC. LTD. ŞTİ.

YENİ CAMI OSM MAH. 2. CAD NO:21 KAVAK SAMSUN - TÜRKİYE

Annex I

MODELLER:
EA 13 (1,3 B), EA 35 (3,5 B), EA 50 (5 B), EA 70 (7 B), EA 80 (8 B), EA 100 (10 B), EA 120 (12 B), EA 200 (20 B), EA 250 (25 B), EA 300 (30 B), IC 1 (1 B), IC 3 (3 B), IC 5 (5 B), IC 10 (10 B), IC 20 (20 B), IC 30 (30 B), IC 100 (100 B), IC 150 (150 B), IC 200 (200 B), IC 250 (250 B), IC 300 (300 B), PA-3-CA(30 B), PA-3-CA(30 B), PA-3-CA(30 B), PA-4-EA(40 B), PA-4-CA(40 B), PA-4A (40 B), PA-4-TBA (40 B)

INSPECTION
T.C. YEMEK SAĞLIK ÜRÜNLERİ İNŞ. SAN. VE TİC. LTD. ŞTİ.

CERTIFICATE

This is to certify that the

AFACAN PLASTİK ENDÜSTRİYEL TEMİZLİK VE SAĞLIK ÜRÜNLERİ İNŞAAT SAN. TİC. LTD. ŞTİ.

YENİ CAMI OSM MAH. 2. CAD NO:21 KAVAK SAMSUN - TÜRKİYE

has been independently assessed and is compliant with the requirements of

A.D.R. 6.1.4.8 AND UN 3291

300 3000 2023 04/03/2023 - 30/03/2025

INSPECTION
T.C. YEMEK SAĞLIK ÜRÜNLERİ İNŞ. SAN. VE TİC. LTD. ŞTİ.

YERLİ MALİ BELGESİ

Bu belge, Türkiye'de üretilen ve Türkiye'de pazarlanan ürünlerin yerli malî olduğunu göstermektedir. Bu belge, Türkiye'de üretilen ve Türkiye'de pazarlanan ürünlerin yerli malî olduğunu göstermektedir.

SAMSUN İÇİŞİLERİ VE SANAYİ ODASI

YERLİ MALİ BELGESİ

Bu belge, Türkiye'de üretilen ve Türkiye'de pazarlanan ürünlerin yerli malî olduğunu göstermektedir. Bu belge, Türkiye'de üretilen ve Türkiye'de pazarlanan ürünlerin yerli malî olduğunu göstermektedir.

SAMSUN İÇİŞİLERİ VE SANAYİ ODASI

SAMSUN TİCARET VE SANAYİ ODASI İMALATÇI BELGESİ

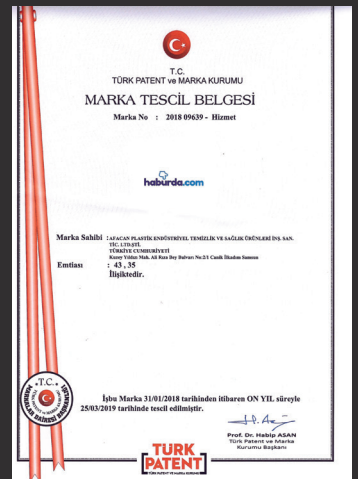
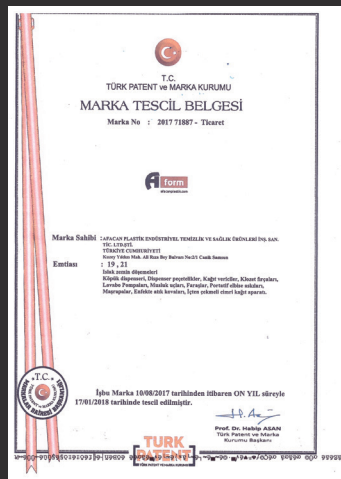
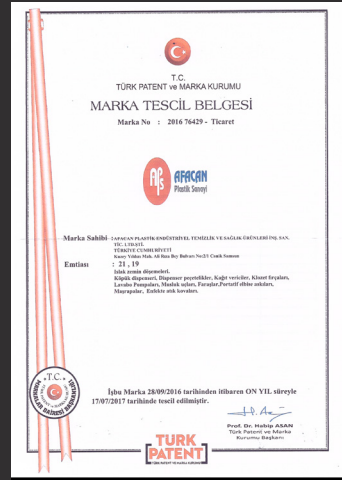
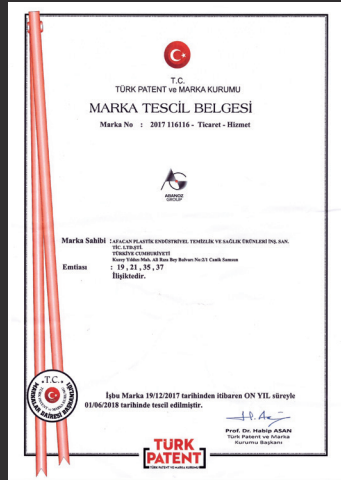
Bu belge, Türkiye'de üretilen ve Türkiye'de pazarlanan ürünlerin yerli malî olduğunu göstermektedir. Bu belge, Türkiye'de üretilen ve Türkiye'de pazarlanan ürünlerin yerli malî olduğunu göstermektedir.

SAMSUN TİCARET VE SANAYİ ODASI



MARKA TESCİL BELGELERİ

BRAND REGISTRATION CERTIFICATES



Ürünlerimiz, ürün serilerimiz yan markalarımız Abanoz Group ve çatısı altında bulunan tüm markalar TÜRKPATENT Enstitüsü tarafından araştırılmış ve onaylanmıştır.

Our products, product series, side brands, Abanoz Group and all brands under the roof of TURKPATENT Institute have been researched and approved.



ABANOZ
GROUP



Afacan Plastik

Endüstriyel Temizlik ve Sağlık Ürünleri

Önce Kalite



E-Trade Commerce
(Domestic)



Afacan Plastik bu katalogta olabilecek hatalardan, baskı ve tipografik kaynaklı renk sapmalarından sorumlu değildir. Afacan Plastik önceden belirtmeksizin ölçülerde, ürünlerde ve aksesuarlarda değişiklik yapma hakkına sahiptir.

Afacan Plastik is not responsible for any errors in this catalog, print or typographic color deviations. Afacan Plastik reserves the right to make changes in dimensions, products and accessories without prior notice.

AFACAN PLASTİK / QUALITY FIRST / 2023 - 2024 COLLECTION®

Önce Kalite
QUALITY FIRST

AFACAN PLASTİK / QUALITY FIRST / 2023 - 2024 COLLECTION®



Afacan Plastik

Endüstriyel Temizlik ve Sağlık Ürünleri
Industrial Cleaning and Health Products

Önce Kalite
QUALITY FIRST

AFACAN PLASTİK ENDÜSTRİYEL TEMİZLİK VE SAĞLIK ÜRÜNLERİ İNŞ. SAN. TİC. LTD. ŞTİ.

Showroom: Kuzey Yıldızı Mah. Alirızabey Bulv. No:2/1 Canik / SAMSUN

Fabrika: Yeni Camii OSB Mah. 2.Cadde No:2 Kavak/Samsun

Fabrika Tel: +90 362 266 79 59 | Fax:+90 362 266 60 31

info@afacanplastik.com | pazarlama@afacanplastik.com | export@afacanplastik.com



afacanplastik.com



afacanplastik



+90 362 228 44 50